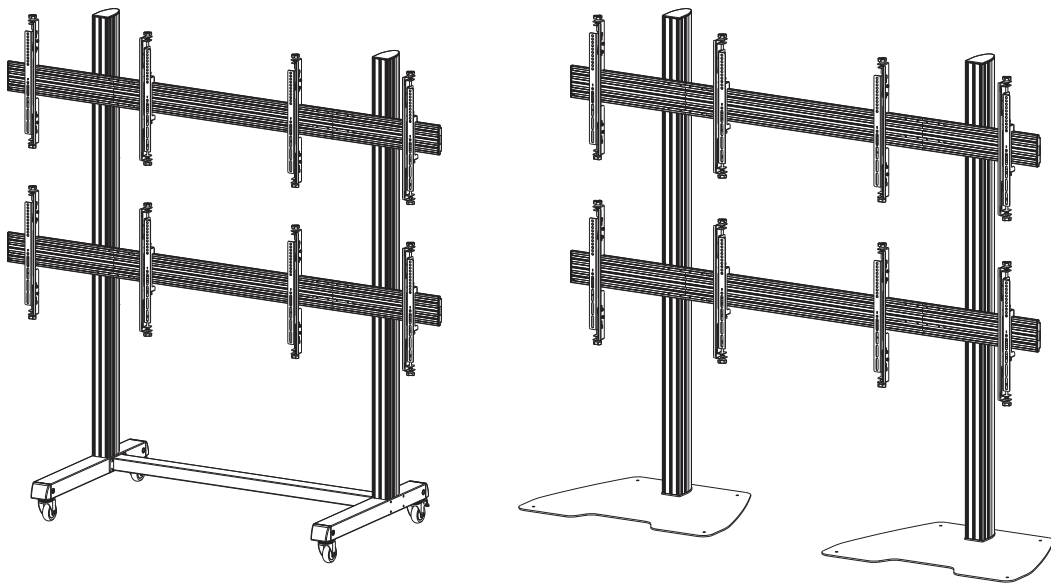


# NEOMOUNTS PRO

## BY NEWSTAR

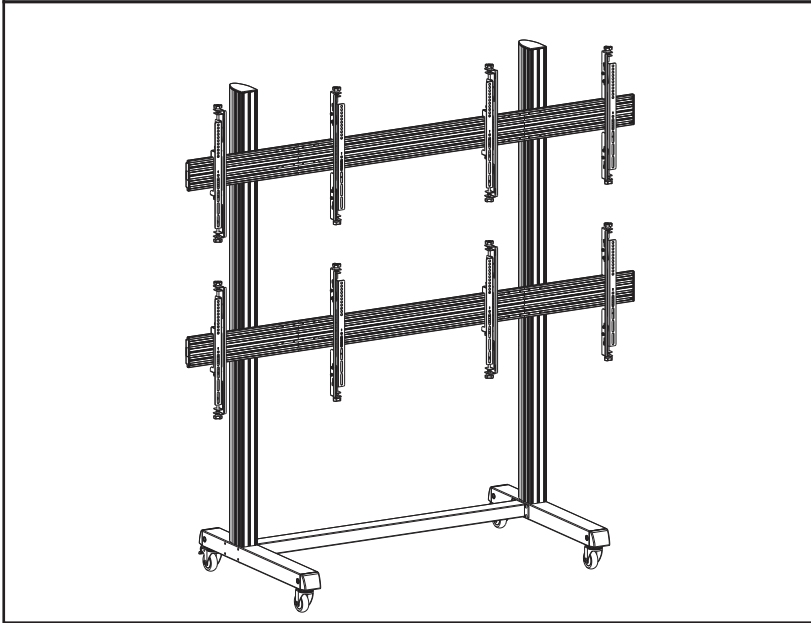


**MOBILE CARTS**

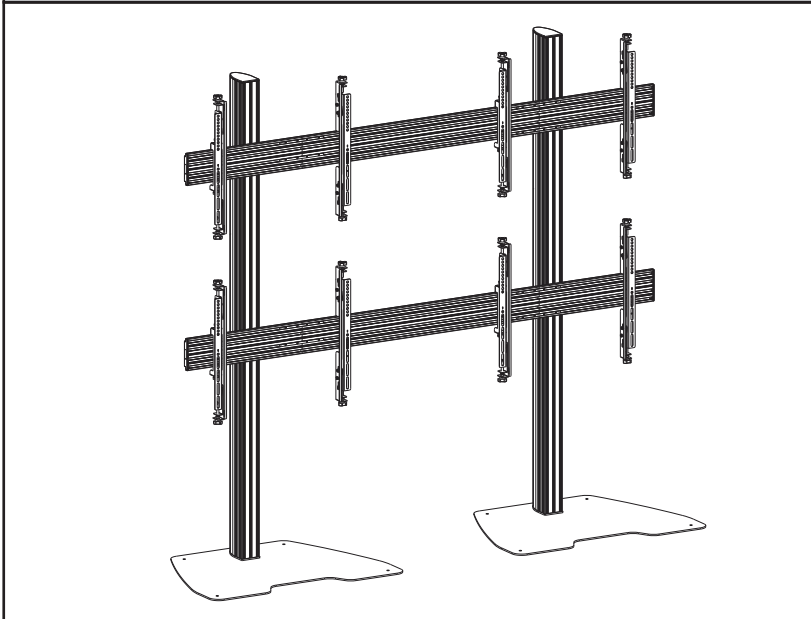
**STANDS**

# OVERVIEW

## Section(1) With Wheels ----- Page 2



## Section(2) With Floor Plate ----- Page 14



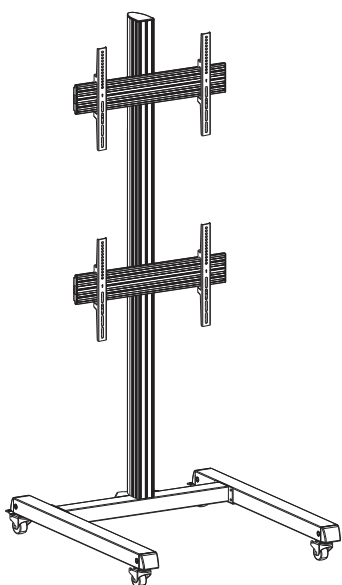
This instruction is applicable to all the following models and related extended products

**Section(1) With Wheels**

**NMPRO-M12**

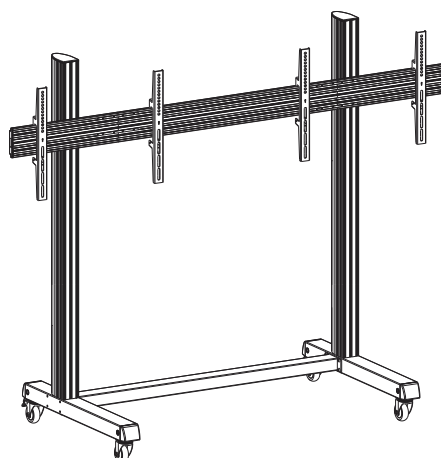
(With fixed arms)

**Page 12**



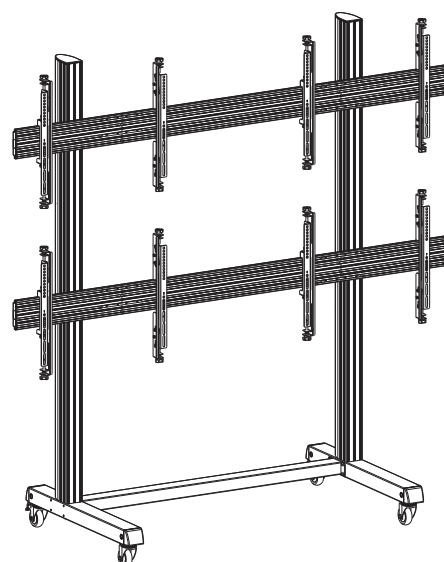
**NMPRO-M21**

(With fixed arms)



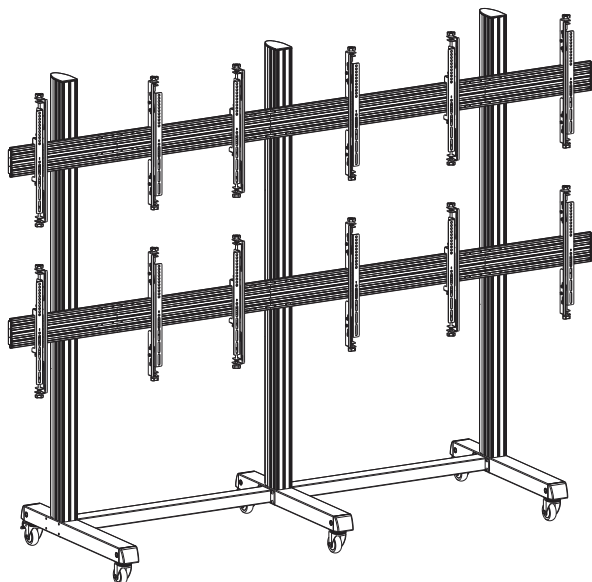
**NMPRO-M22**

(With micro-adjustment arms)



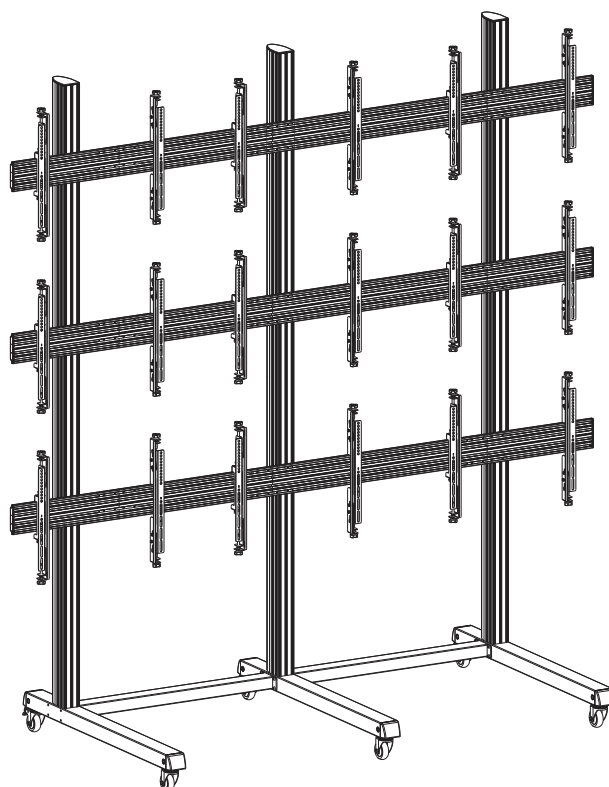
**NMPRO-M32**

(With micro-adjustment arms)



**NMPRO-M33**















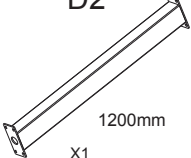
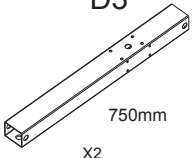
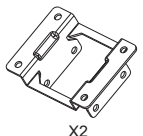
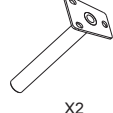
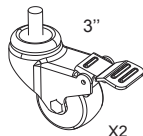
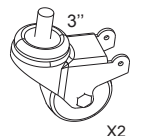
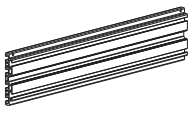
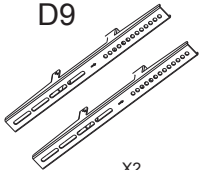
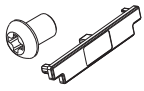
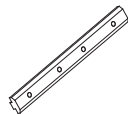

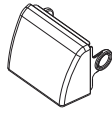
(With micro-adjustment arms)
















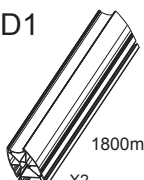
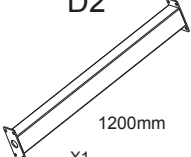
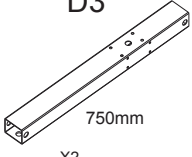
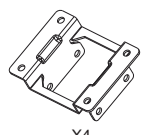
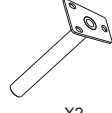
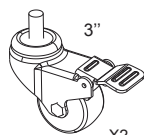
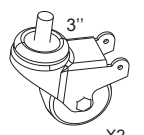
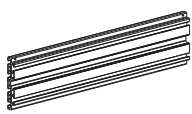
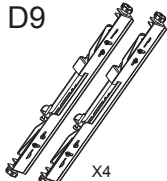
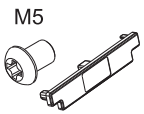
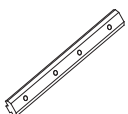


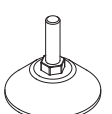
# ! WARNING

- Be sure to read this entire manual thoroughly and you fully understand all the instructions and warning before attempting to begin your installation.
- This products should only be installed by someone who has a basic knowledge of building constructio installations and fully undestnd these instrudtions.
- Always have someone assit you to lift and position your equipment.
- Tighten screws and bolts firmly, but do not over tighten. Over tightening can damage the item and greatly reduce their ability to hold. Please refer to suggested torque values where applicable in these instructions.





## Parts list (NMPRO-M21)

<b>A1</b> M5X15  X4	<b>A2</b> M6X15  X4	<b>A3</b> M8X15  X4	<b>A4</b> Ø6XØ6.2X1.5  X4	<b>X2</b>	<b>B1</b> 3mm  X1	<b>B2</b> 5mm  X1	<b>B3</b> 6mm  X1	<b>B4</b> Ø6XØ8.2X1.5  X16	<b>B5</b> M8X12  X16	<b>B6</b> M8  X16	<b>X1</b>	<b>C1</b> M8X12  X14	<b>C2/C3</b> M8X45  X8	<b>C4</b>  X8	<b>X1</b>
					<b>D1</b>  1500mm X2	<b>D2</b>  1200mm X1	<b>D3</b>  750mm X2	<b>D4</b>  X2	<b>D5</b>  X2	<b>D6</b>  3" X2		<b>D7</b>  3" X2			
				<b>D8</b>  1000mm*1+480mm*2 X2	<b>D9</b>  X2	<b>D10</b> M5  X2	<b>D11</b>  X8	<b>D12</b>  X4	<b>D13</b>  X4						




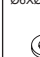


## Parts list (NMPRO-M22)

<b>A1</b> M5X15  X4	<b>A2</b> M6X15  X4	<b>A3</b> M8X15  X4	<b>A4</b> Ø6XØ6.2X1.5  X4	<b>X4</b>	<b>B1</b> 3mm  X1	<b>B2</b> 5mm  X1	<b>B3</b> 6mm  X1	<b>B4</b> Ø6XØ8.2X1.5  X34	<b>B5</b> M8X12  X34	<b>B6</b> M8  X34	<b>X1</b>	<b>C1</b> M8X12  X14	<b>C2/C3</b> M8X45  X8	<b>C4</b>  X8	<b>X1</b>
					<b>D1</b>  1800mm X2	<b>D2</b>  1200mm X1	<b>D3</b>  750mm X2	<b>D4</b>  X4	<b>D5</b>  X2	<b>D6</b>  3" X2		<b>D7</b>  3" X2			
				<b>D8</b>  1000mm*2+480mm*4 X2	<b>D9</b>  X4	<b>D10</b> M5  X4	<b>D11</b>  X16	<b>D12</b>  X8	<b>D13</b>  X4	<b>D14</b>  X4					




## Parts list (NMPRO-M32)

A1	A2	A3	A4
M5X15 	M6X15 	M8X15 	Ø6XØ6.2X1.5 
X4	X4	X4	X4

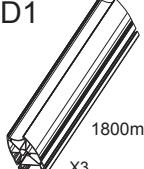
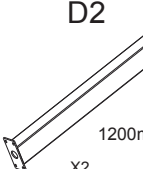
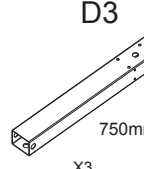
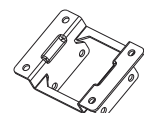
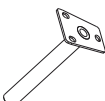
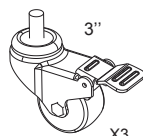
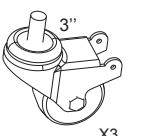
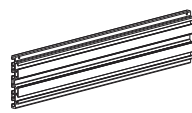
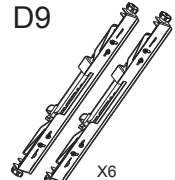
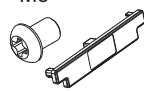
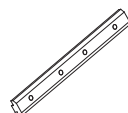


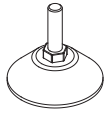
X6

B1	B2	B3	B4	B5	B6
3mm 	5mm 	6mm 	Ø6XØ8.2X1.5 	M8X12 	M8 
X1	X1	X1	X50	X50	X50





X1

C1	C2/C3	C4
M8X12 	M8X45 	
X25	X12	X8




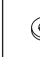
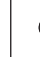

X1

D1  1800mm X3	D2  1200mm X2	D3  750mm X3	D4  X6	D5  X3	D6  3" X3	D7  3" X3
D8  1000mm*6+480mm*2	D9  X6	D10 M5  X4	D11  X24	D12  X12	D13  X6	D14  X6



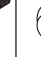
## Parts list (NMPRO-M33)

A1	A2	A3	A4
M5X15 	M6X15 	M8X15 	Ø6XØ6.2X1.5 
X4	X4	X4	X4

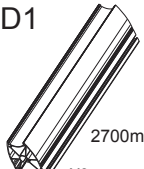
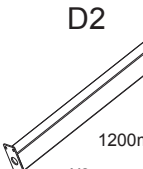
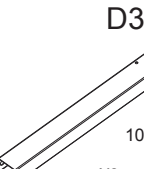
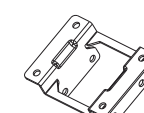
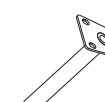
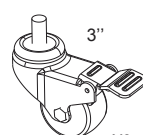
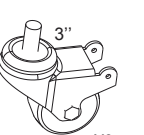

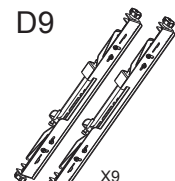
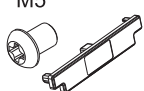
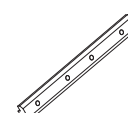

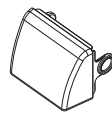
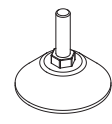
X9

B1	B2	B3	B4	B5	B6
3mm 	5mm 	6mm 	Ø6XØ8.2X1.5 	M8X12 	M8 
X1	X1	X1	X74	X74	X74

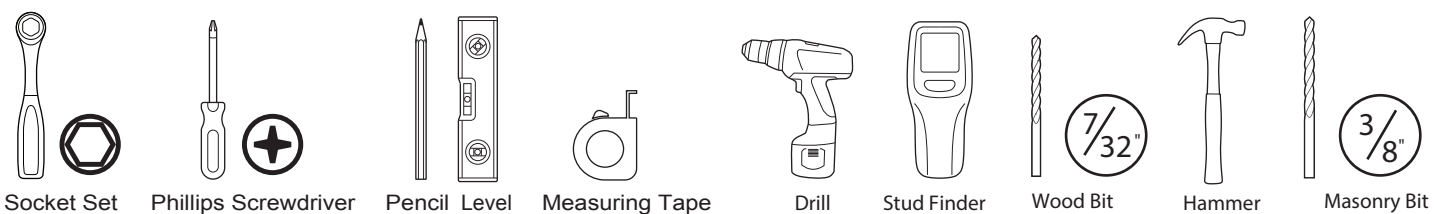
X1

C1	C2	C3
M8X12 	M8X45 	
X25	X12	X8

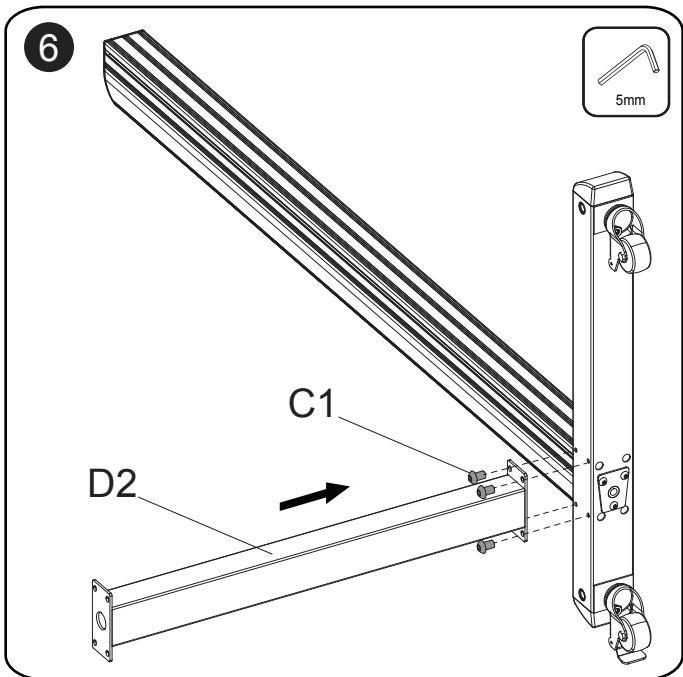
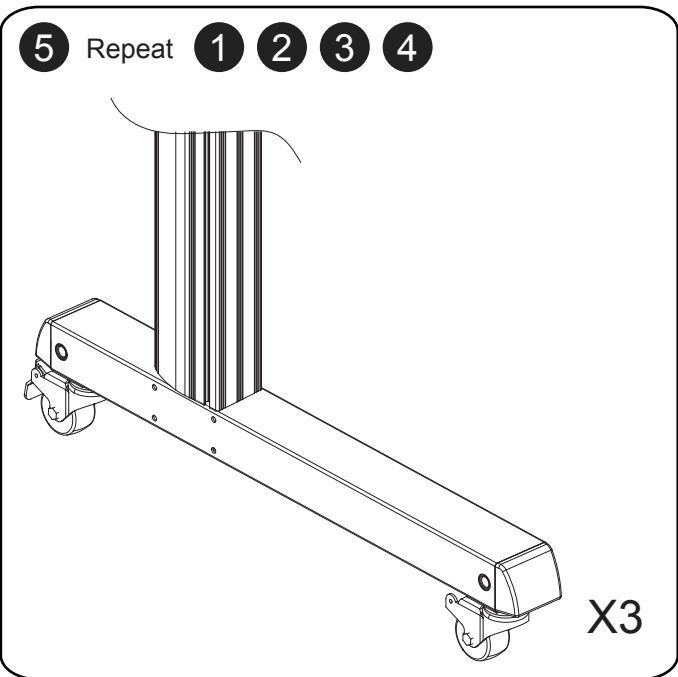
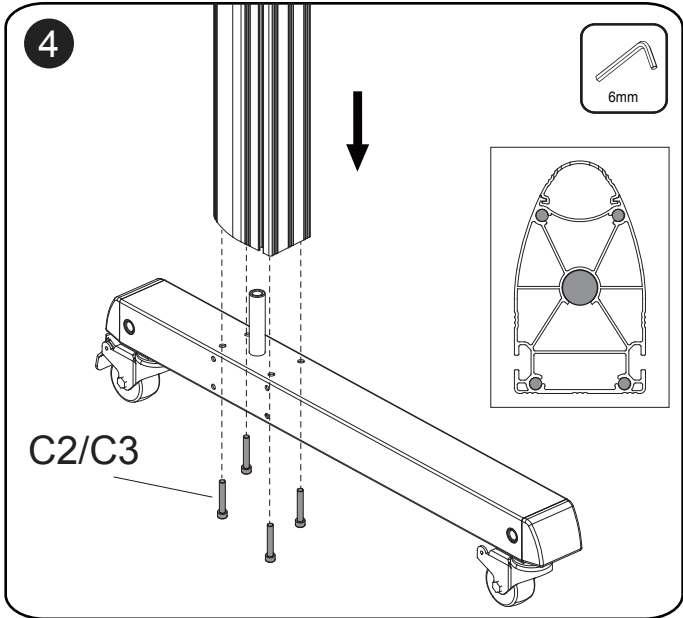
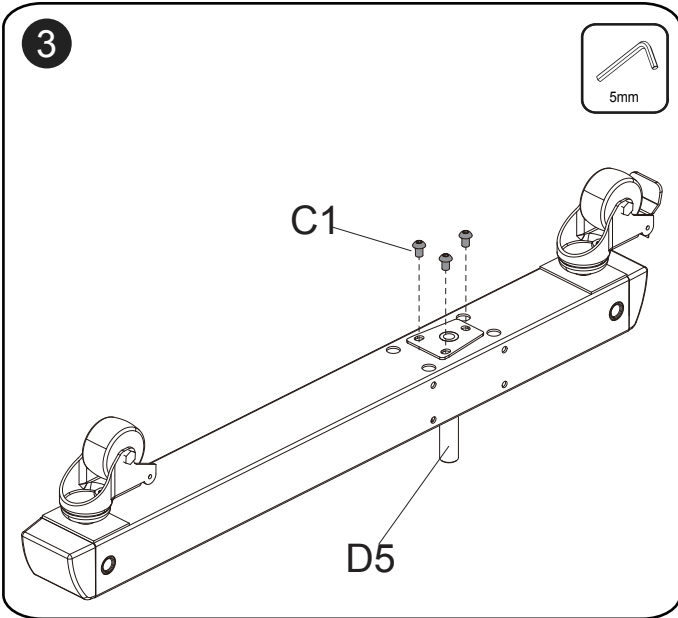
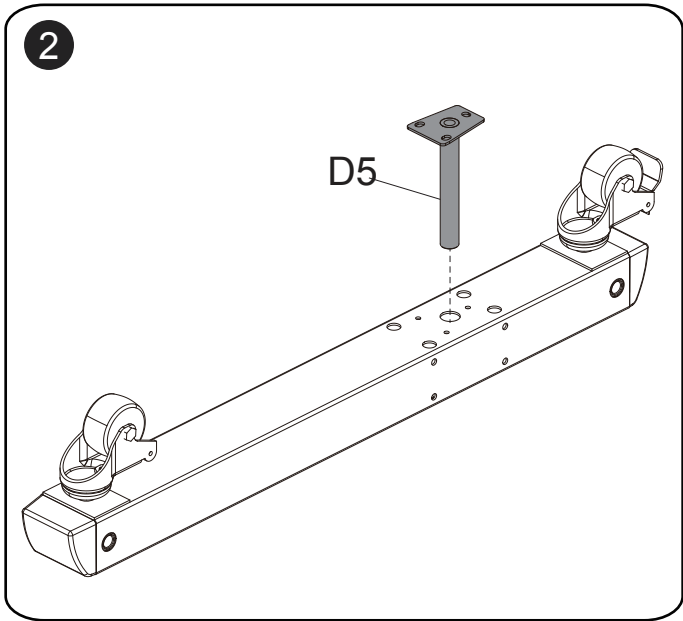
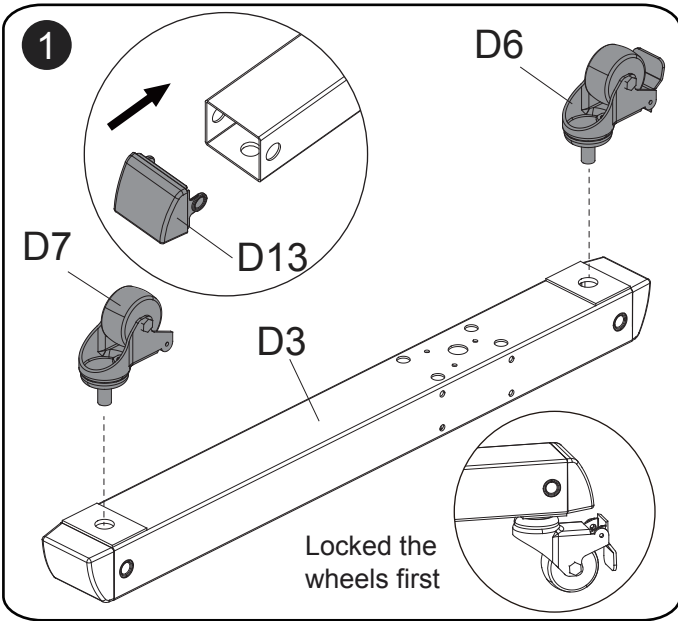
X1

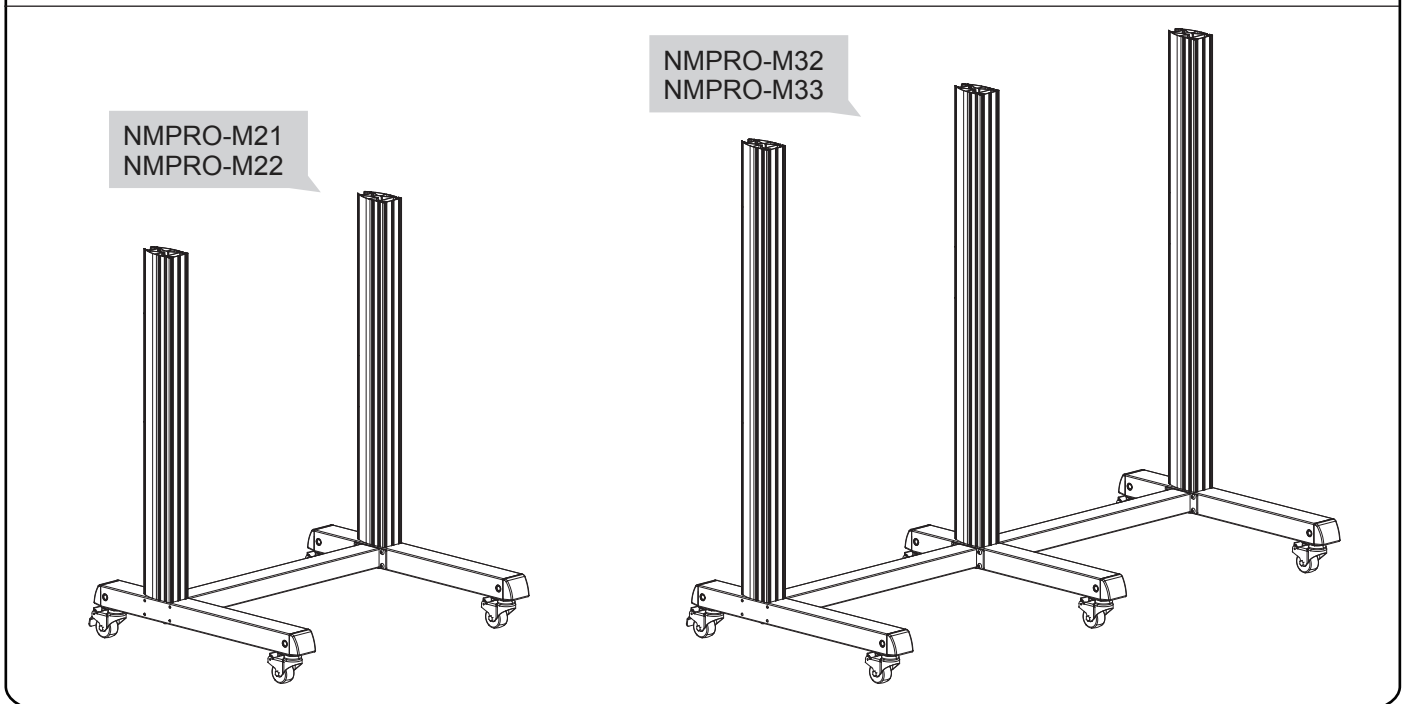
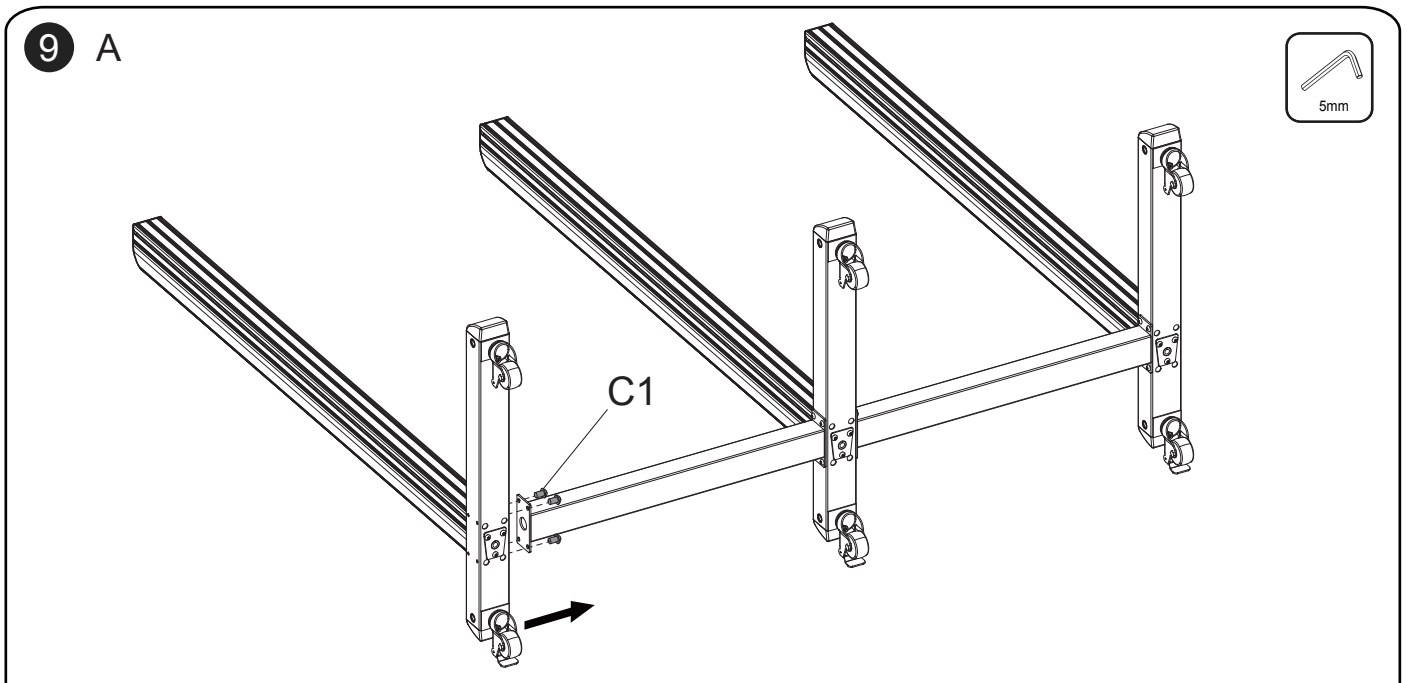
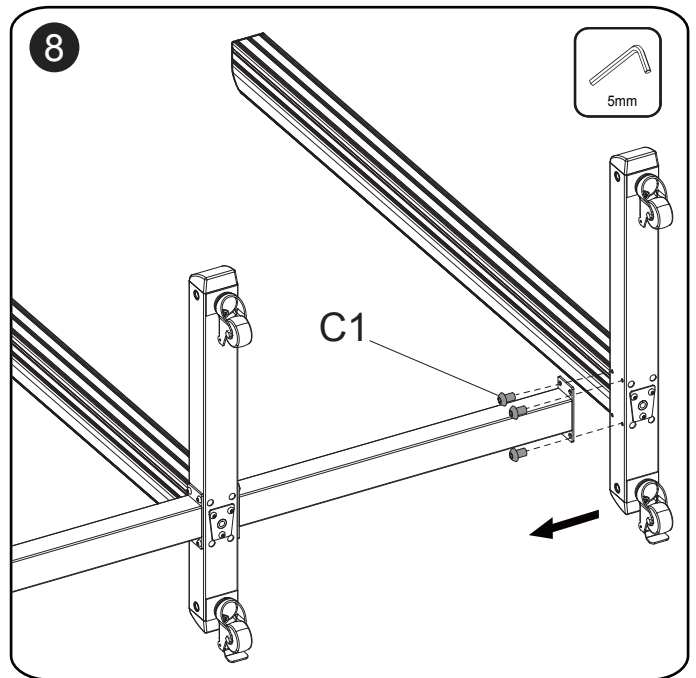
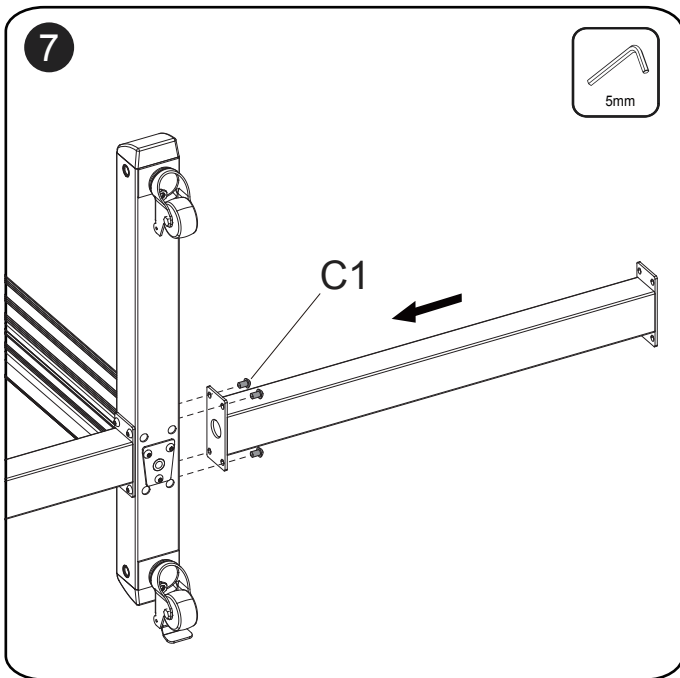
D1  2700mm X3	D2  1200mm X2	D3  1000mm X2	D4  X9	D5  X3	D6  3" X3	D7  3" X3
D8  1000mm*9+480mm*3	D9  X9	D10 M5  X6	D11  X36	D12  X18	D13  X6	D14  X6

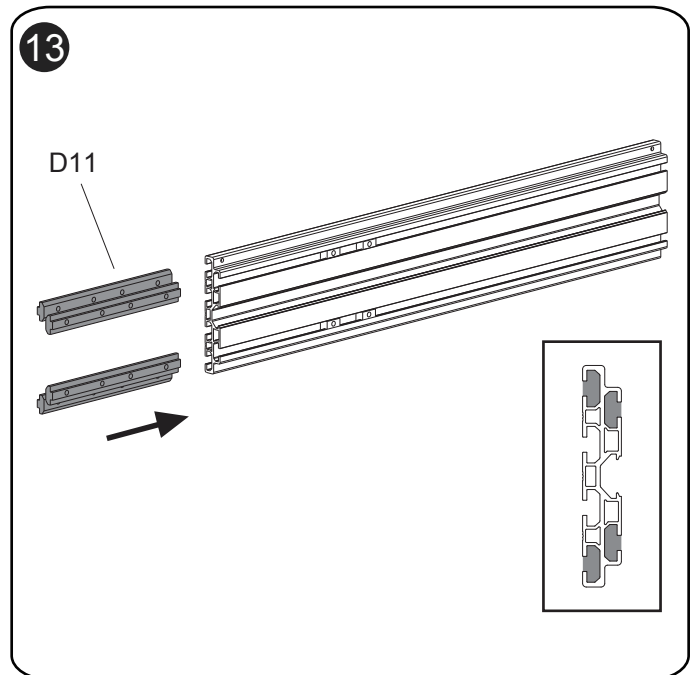
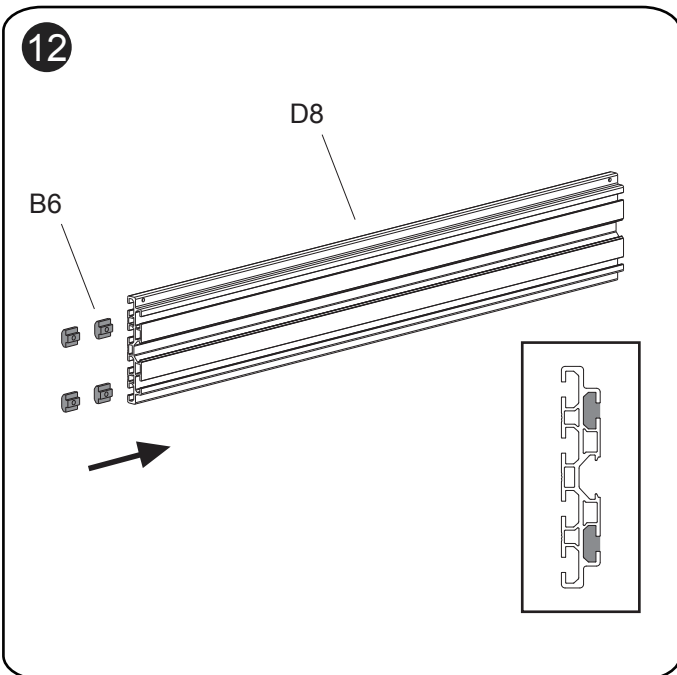
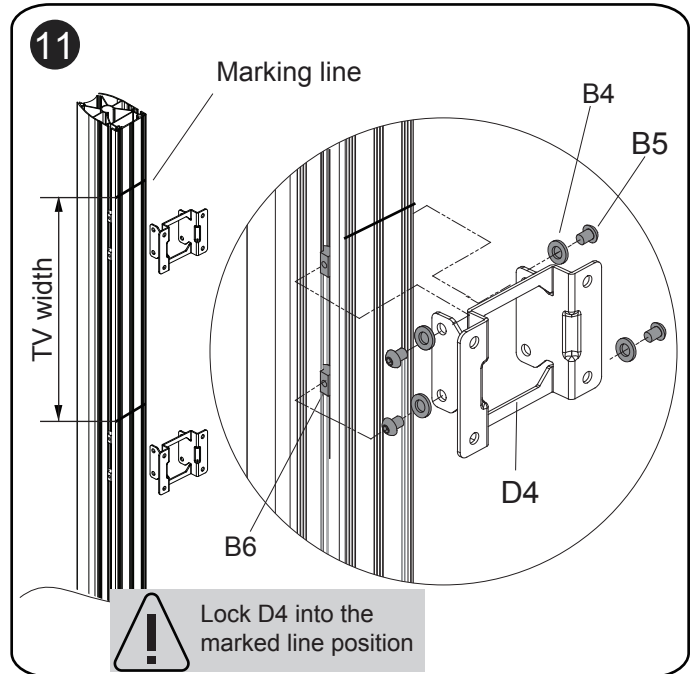
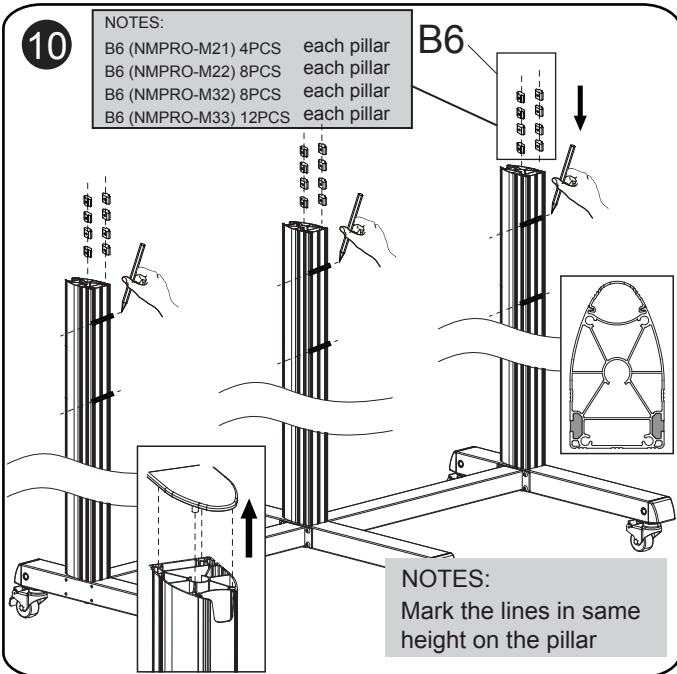
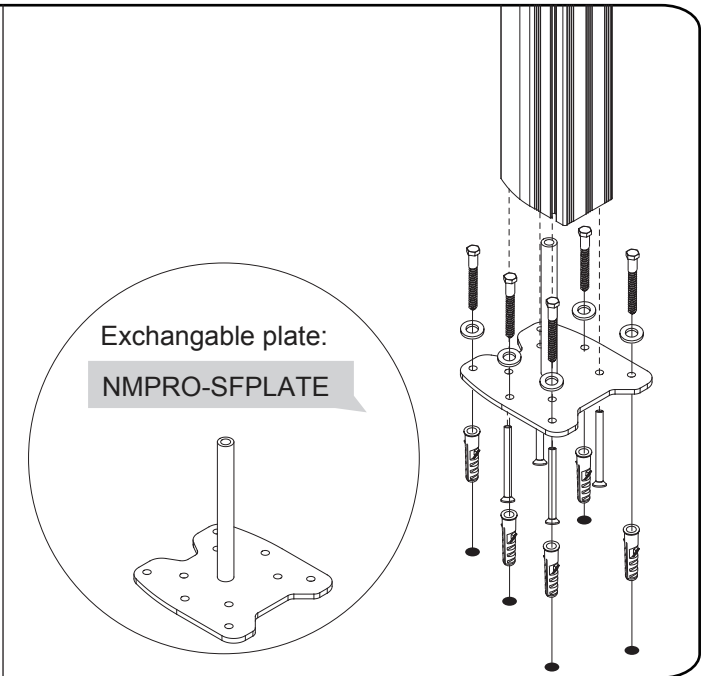
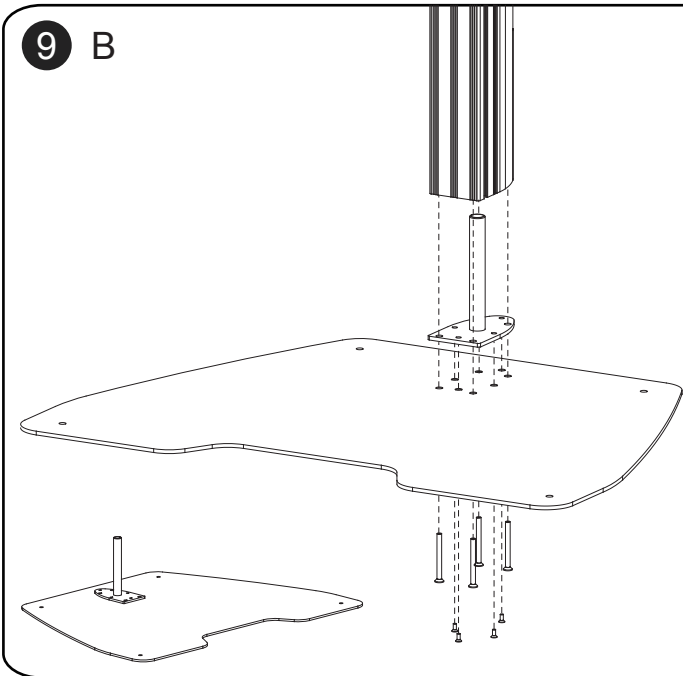
## Required Tools



# Installation

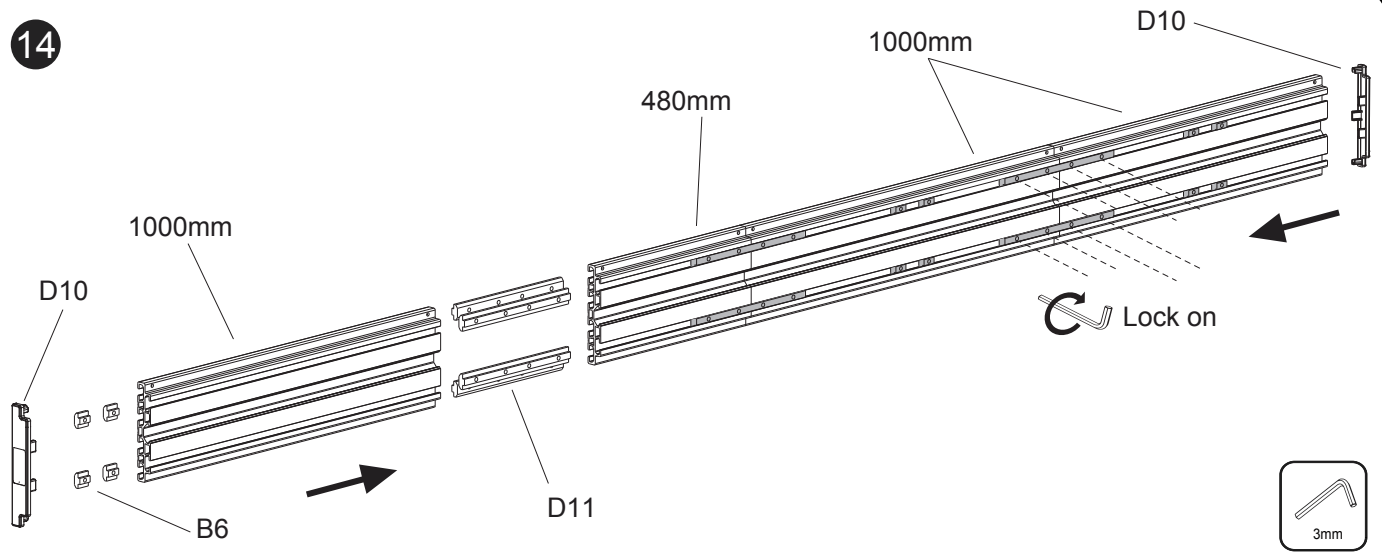




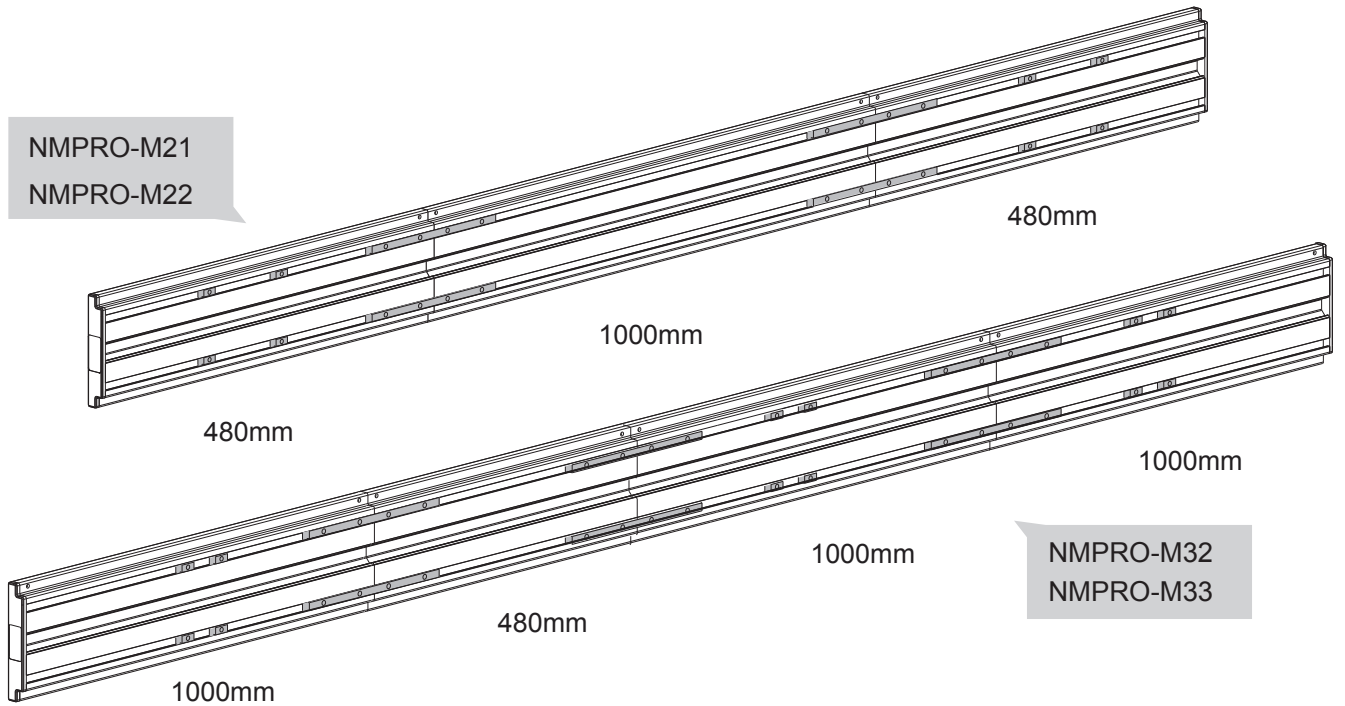




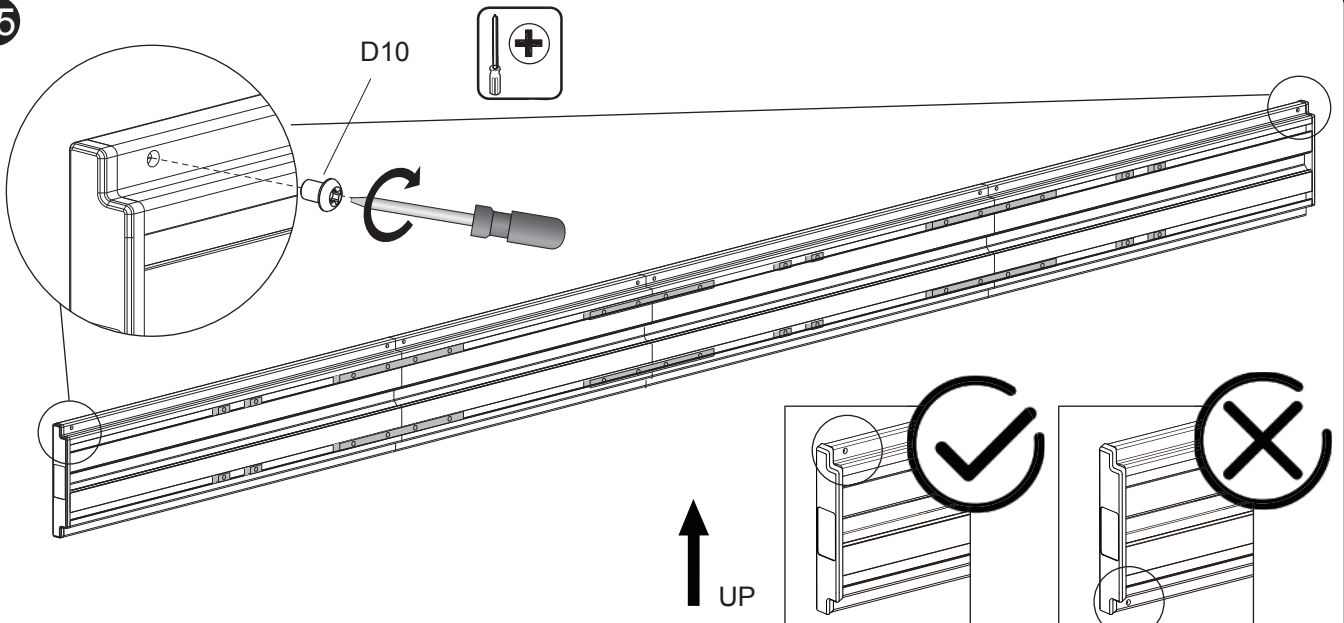
14

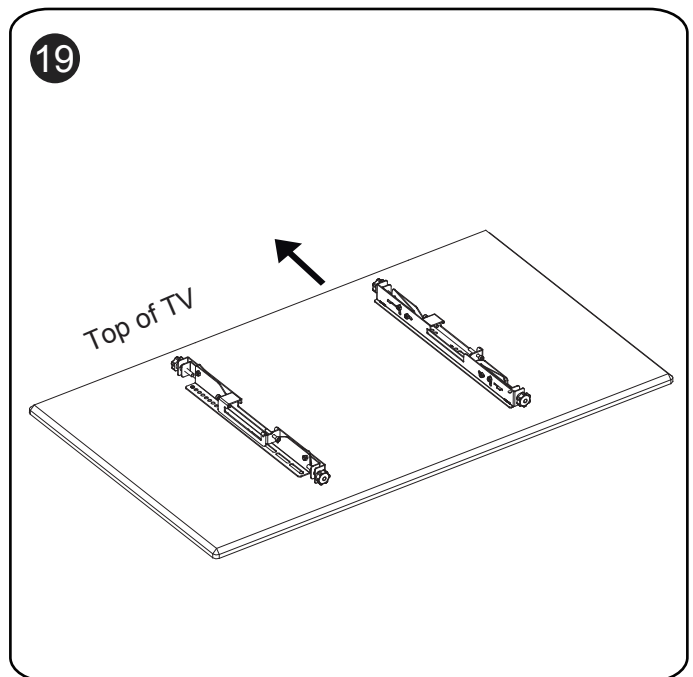
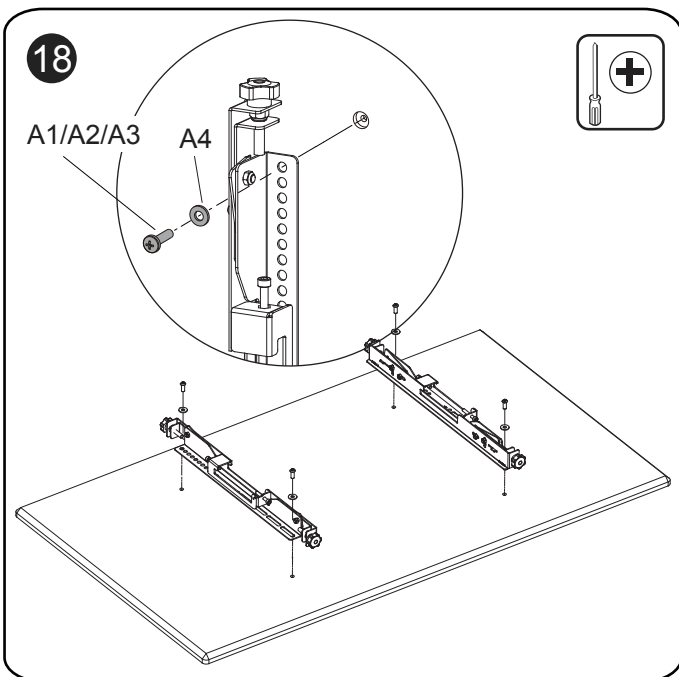
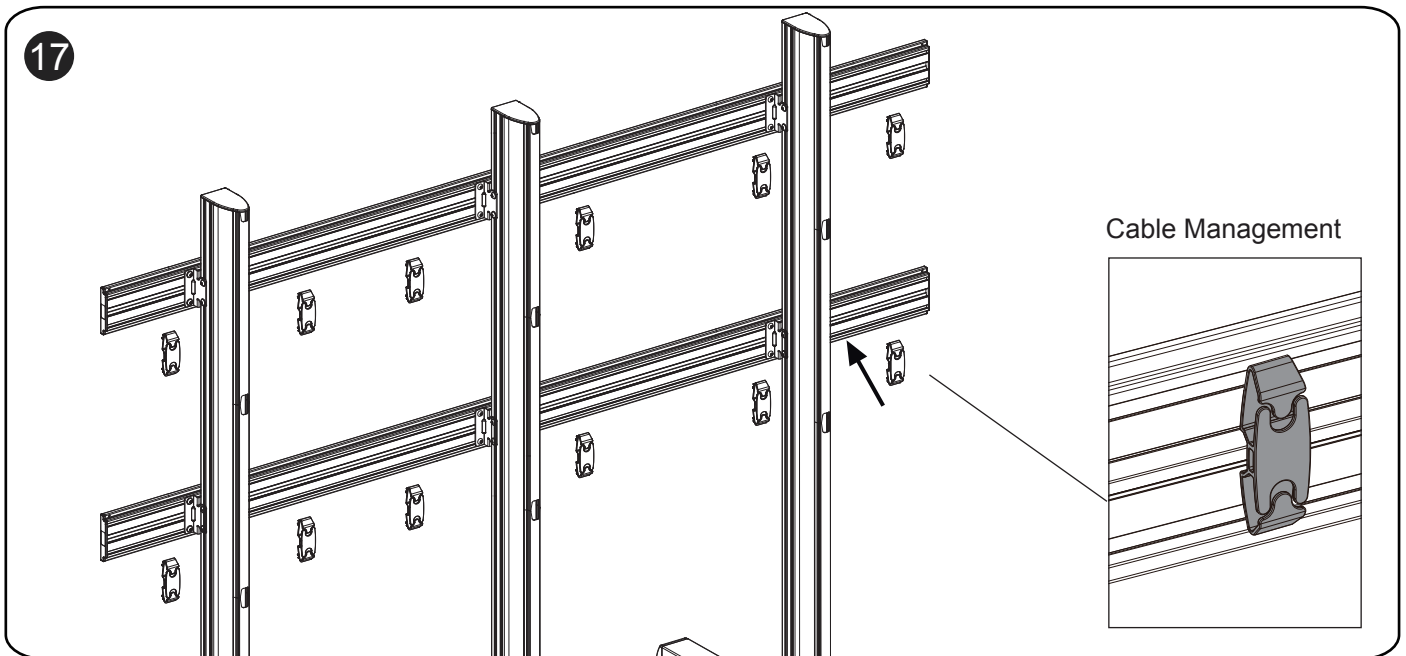
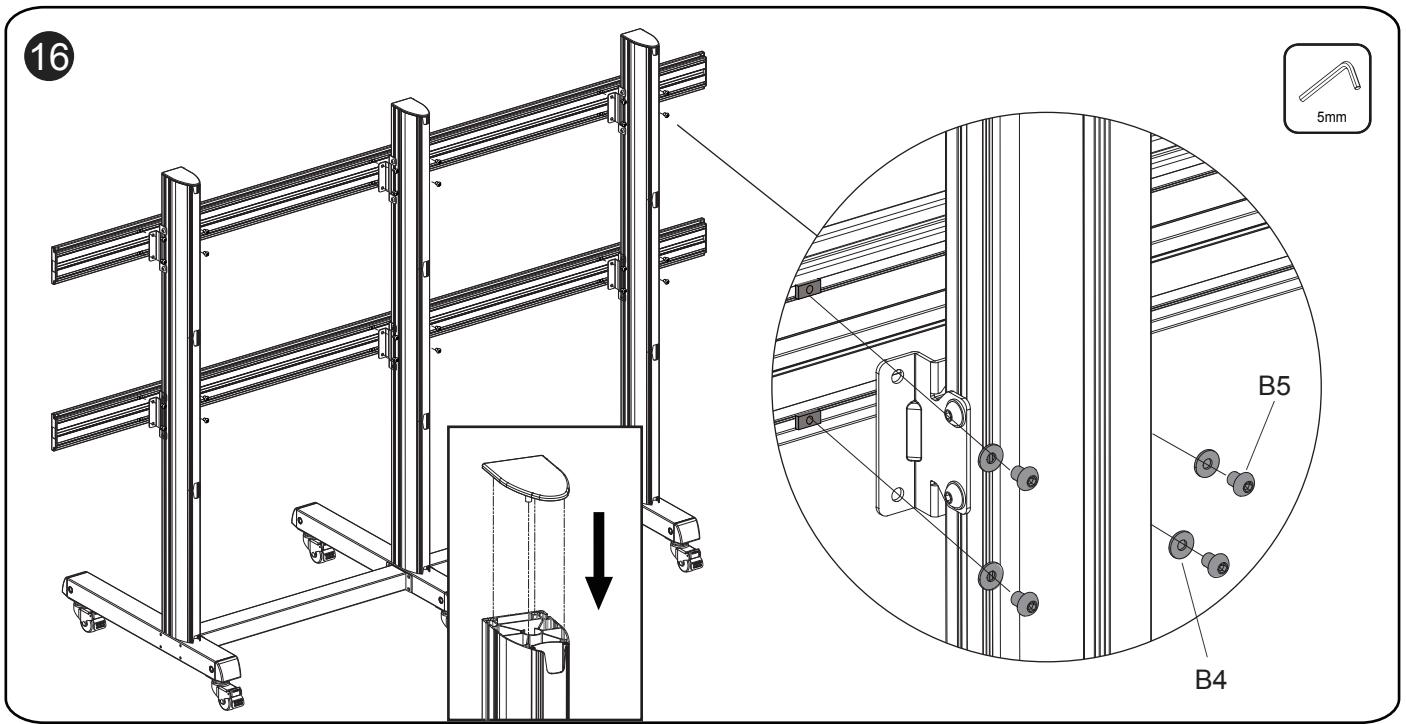


NMPRO-M21  
NMPRO-M22

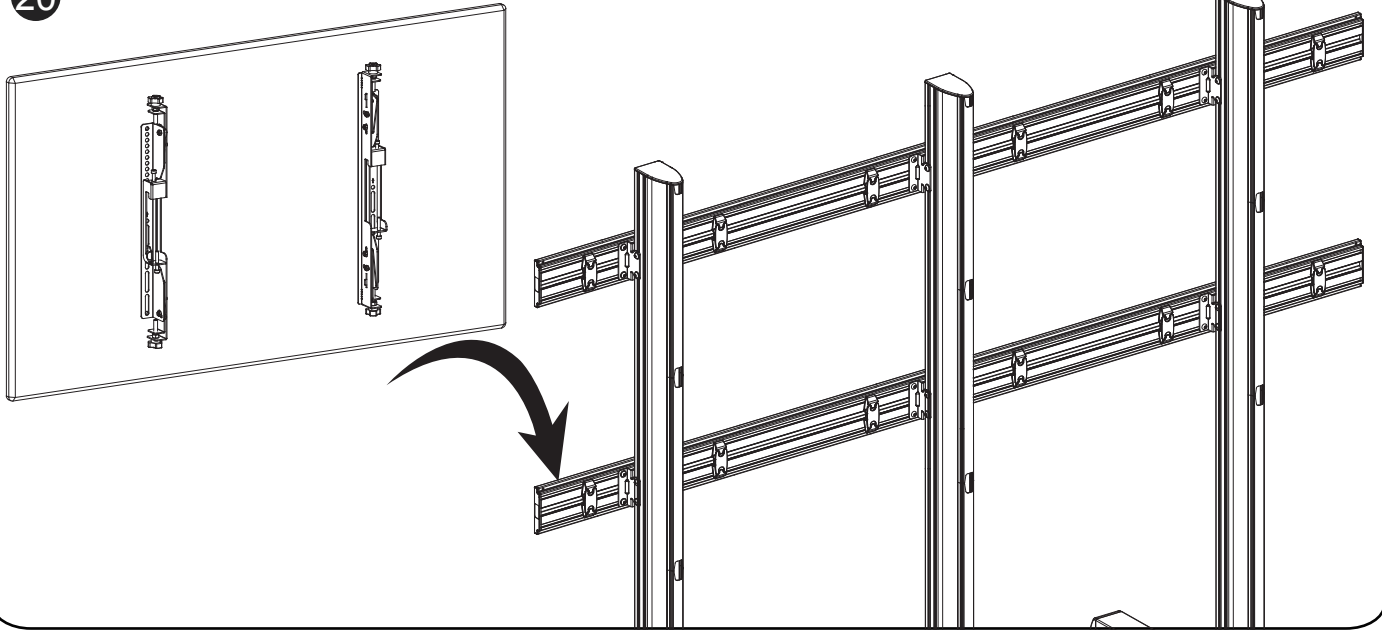


15



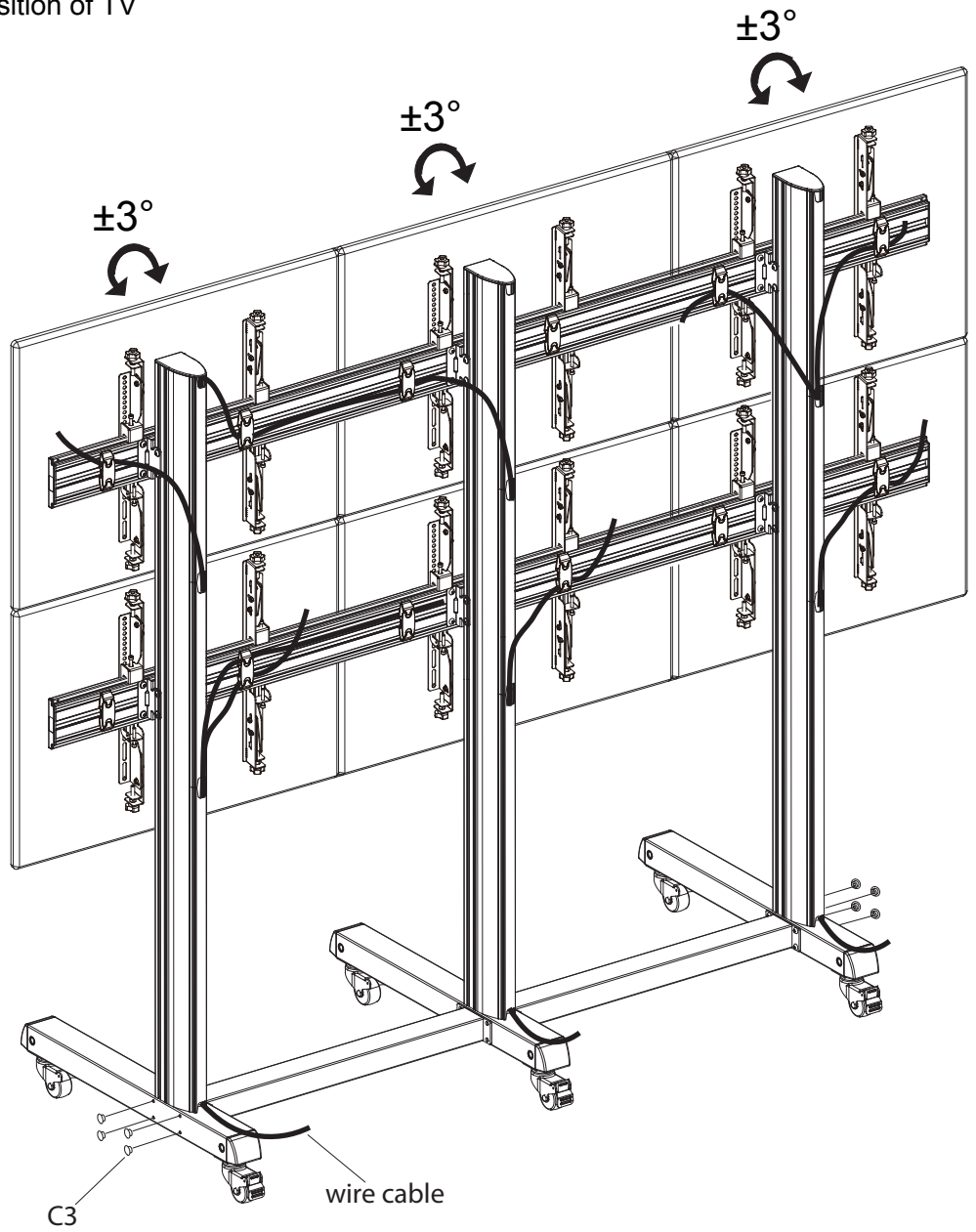
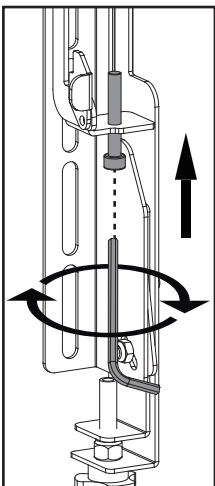
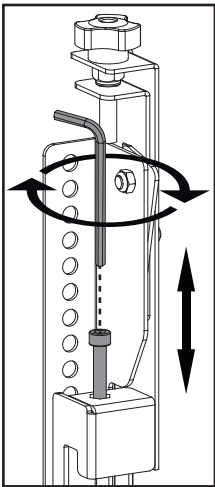


20

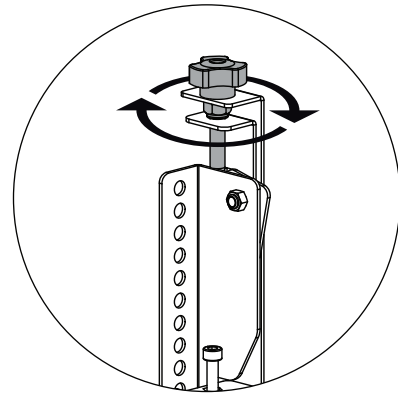
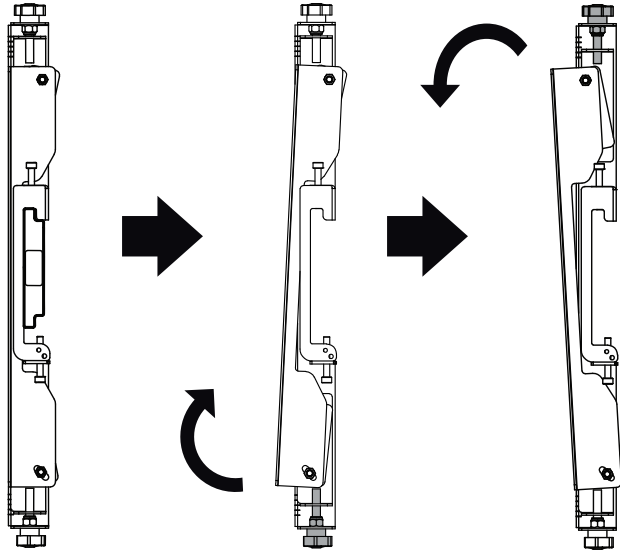


21 Adjust the vertical position of TV

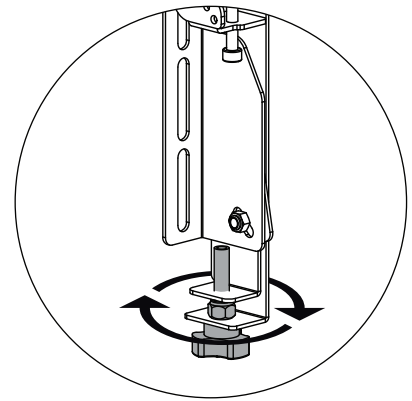
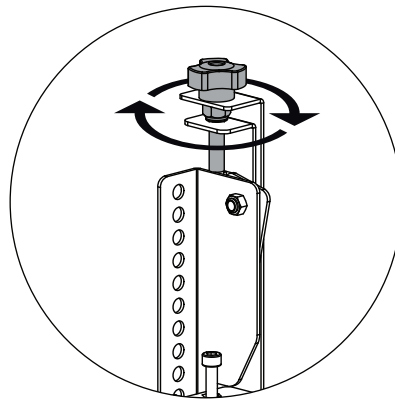
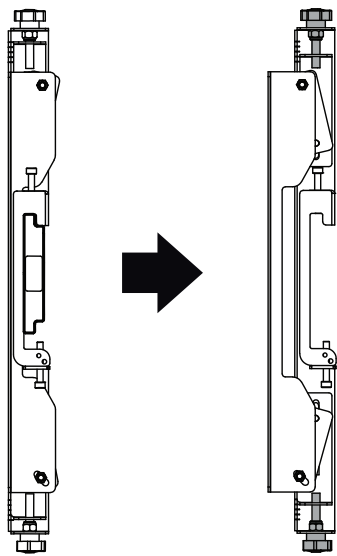
Height adjustment 10mm



22

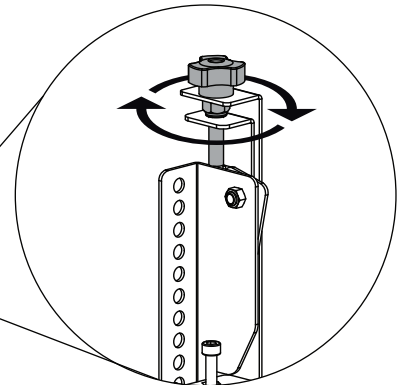
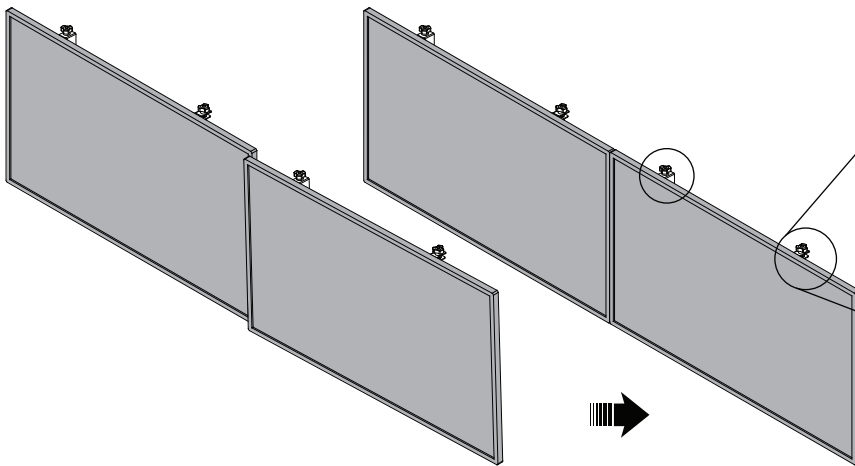


Tilt Adjustment  $+3^{\circ}/-3^{\circ}$   
Adjust the single knob

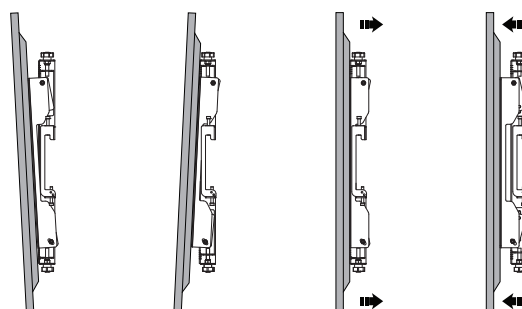


Depth Adjustment 15mm  
Adjust the both knobs





23









Tilt Adjustment  $+3^{\circ}/-3^{\circ}$






# Parts list (NMPRO-M12)

A1	A2	A3	A4
M5X15 	M6X15 	M8X15 	Ø6XØ6.2X1.5 
X4	X4	X4	X4

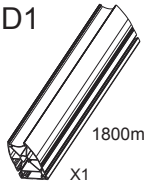
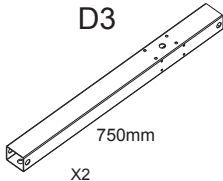
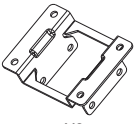
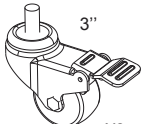
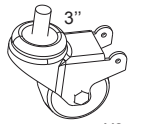
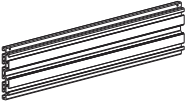
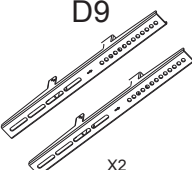
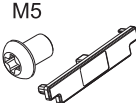

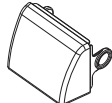
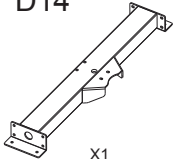
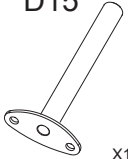
X2

B1	B2	B3	B4	B5	B6
	5mm 	6mm 	Ø6XØ8.2X1.5 	M8X12 	M8 
	X1	X1	X16	X16	X16

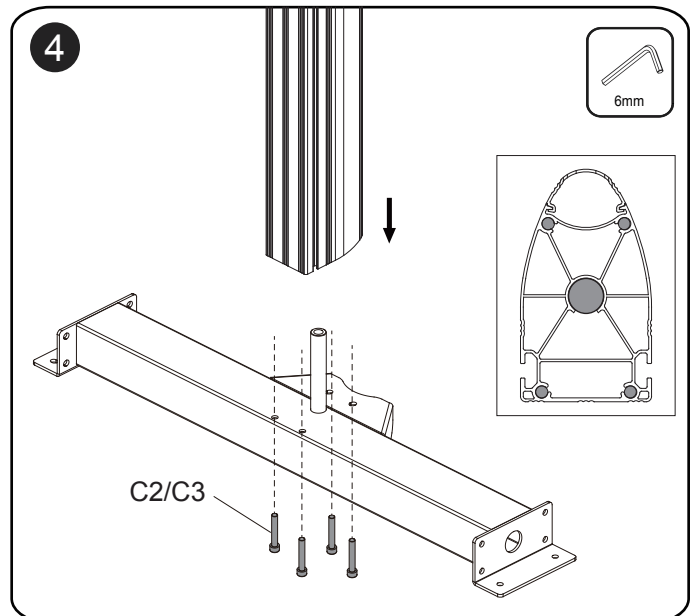
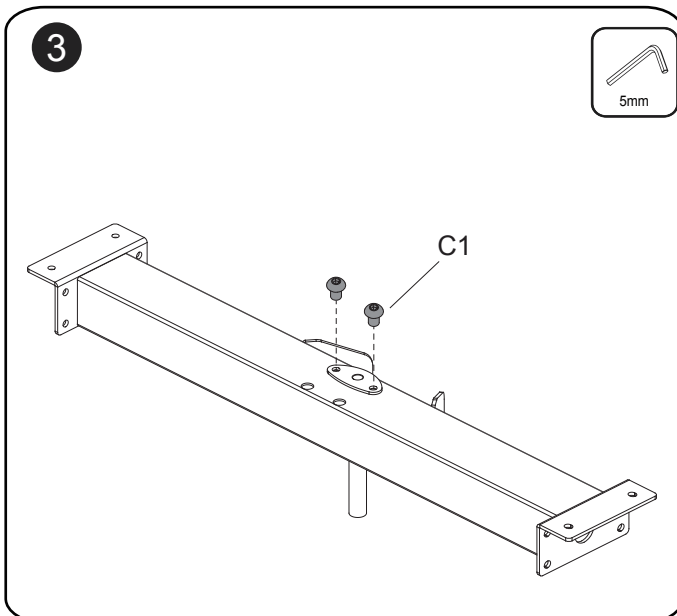
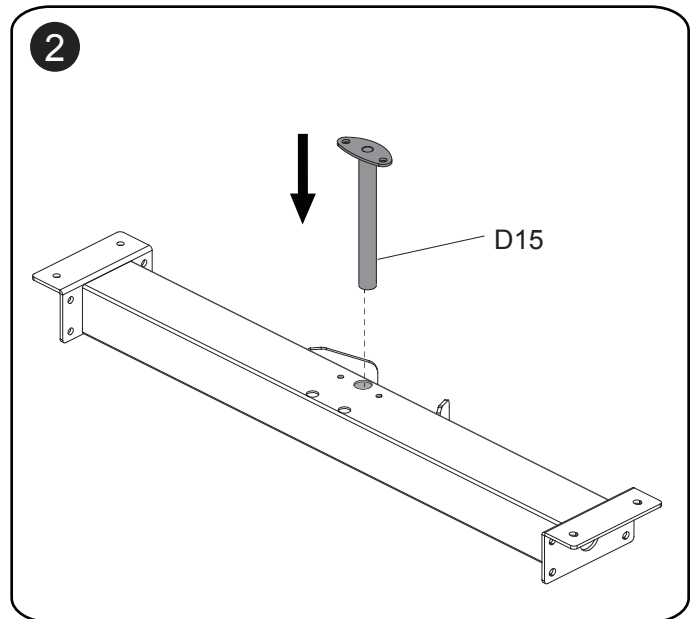
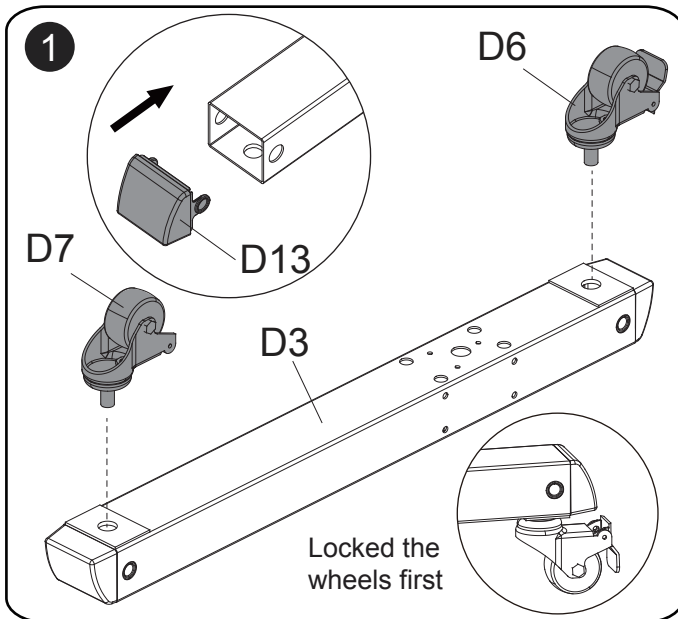
X1

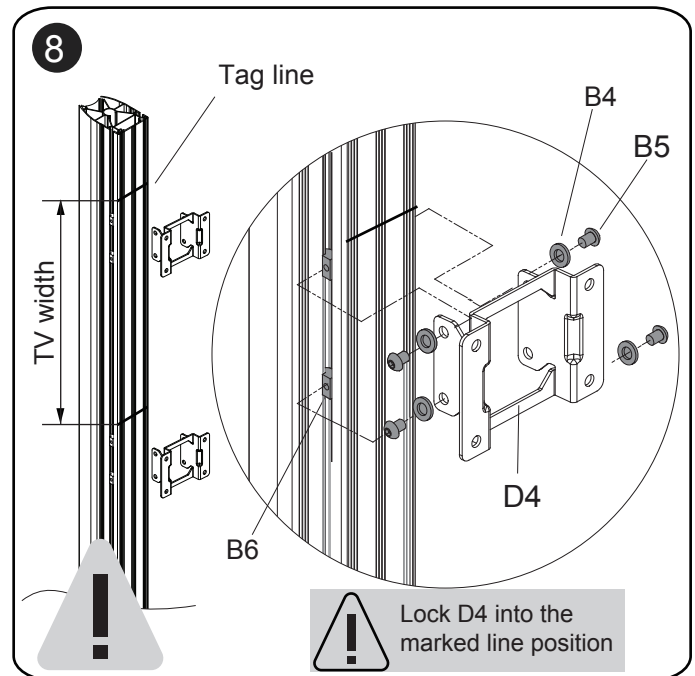
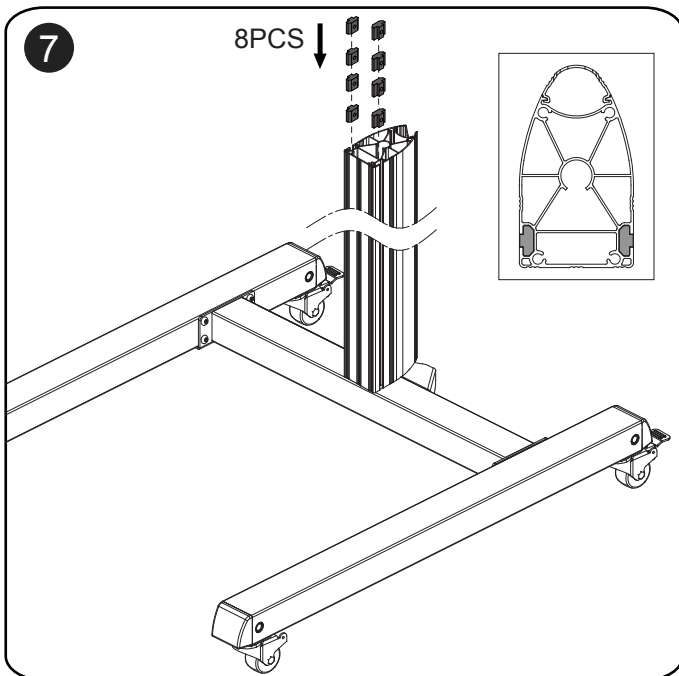
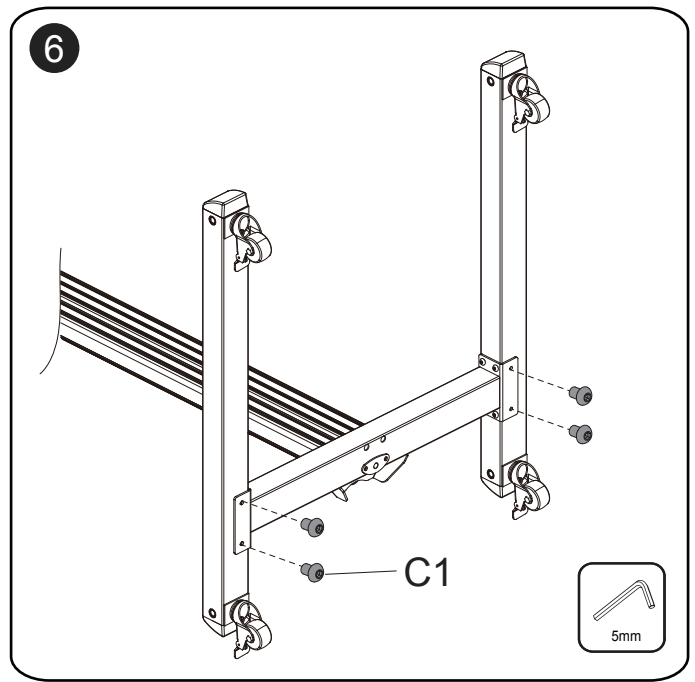
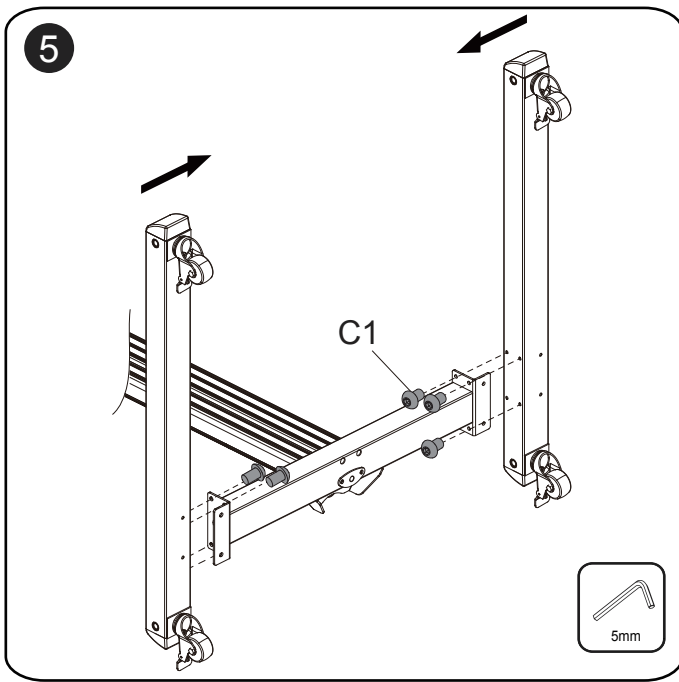
C1	C2/C3	C4
M8X12 	M8X45 	
X14	X4	

X1

D1  1800mm X1	D3  750mm X2	D4  X2	D6  3" X2	D7  3" X2	D8  680mm*2
D9  X2	D10  M5 X4	D12  X4	D13  X4	D14  X1	D15  X1

## Installation



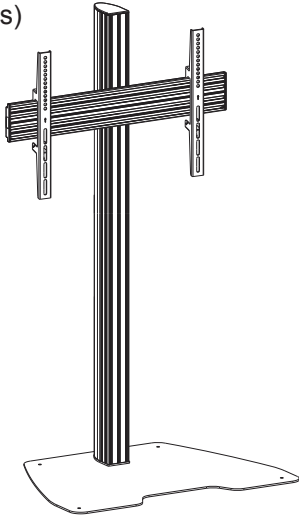


Please refer to page 9 and 10 for the remaining steps.

## Section(2) With Floor Plate

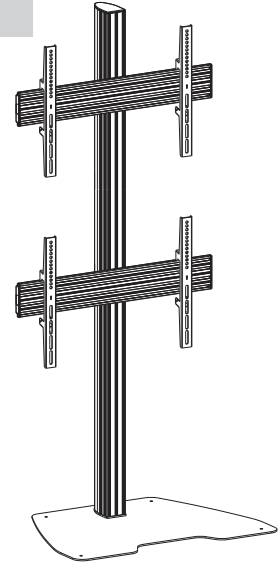
### NMPRO-S1

(With fixed arms)



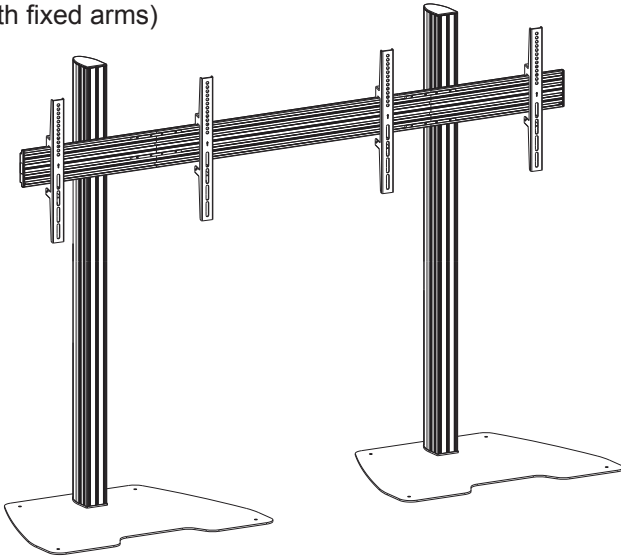
### NMPRO-S12

(With fixed arms)



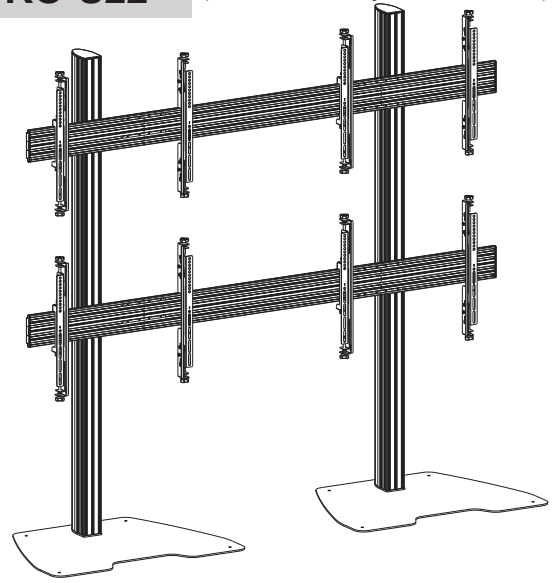
### NMPRO-S21

(With fixed arms)



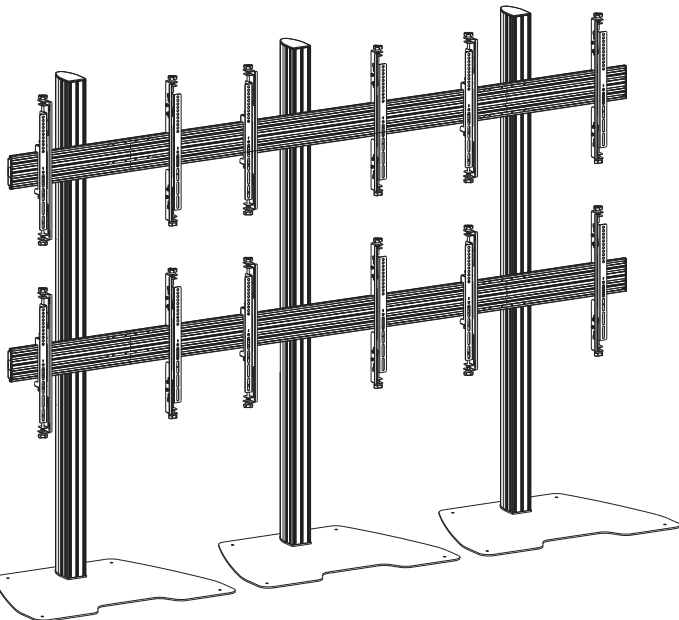
### NMPRO-S22

(With micro-adjustment arms)



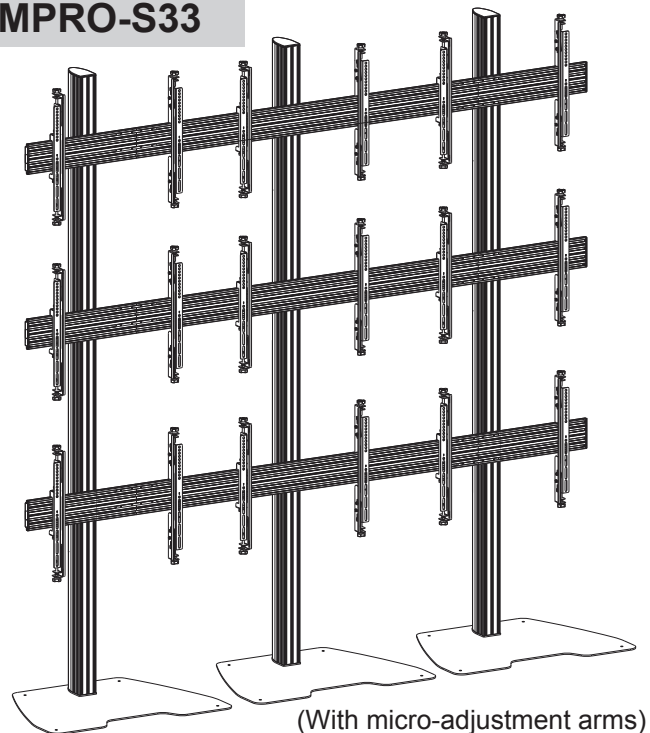
### NMPRO-S32

(With micro-adjustment arms)



### NMPRO-S33










(With micro-adjustment arms)

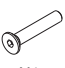







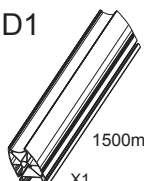
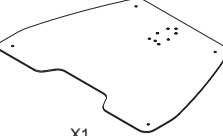
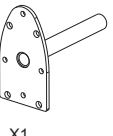
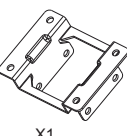
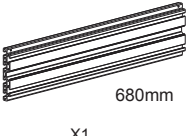
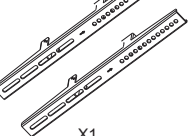


# ! WARNING

- Be sure to read this entire manual thoroughly and you fully understand all the instructions and warning before attempting to begin your installation.
- This products should only be installed by someone who has a basic knowledge of building constructio installations and fully undestnd these instrudtions.
- Always have someone assit you to lift and position your equipment.
- Tighten screws and bolts firmly, but do not over tighten. Over tightening can damage the item and greatly reduce their ability to hold. Please refer to suggested torque values where applicable in these instructions.










## Parts list (NMPRO-S1)

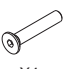





A1	A2	A3	A4	X1	B1	B2	B4	B5	B6	X1
M5X15  X4	M6X15  X4	M8X15  X4	Ø6XØ6.2X1.5  X4			5mm  X1	Ø6XØ8.2X1.5  X8	M8X12  X8	M8  X8	

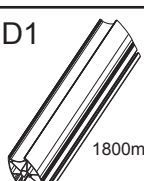
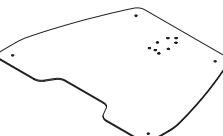
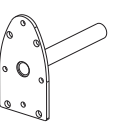
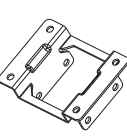
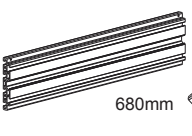
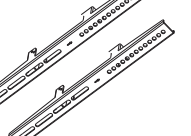


C1	C2	C3	C4	C5	C6	X1
M8X45  X4	M8X12  X4	Rubber Pad  X5	 X4	Lag bolt Ø6XØ8.2X1.5  X4	Anchor  X4	

D1  1500mm X1	D2  X1	D3  X1	D4  X1	D5  680mm X1	D6  X1	D7 M5  X2	D8  X2
--	---	---	---	---	---	---	---

## Parts list (NMPRO-S12)





A1	A2	A3	A4	X2	B1	B2	B4	B5	B6	X1
M5X15  X4	M6X15  X4	M8X15  X4	Ø6XØ6.2X1.5  X4			5mm  X1	Ø6XØ8.2X1.5  X16	M8X12  X16	M8  X16	

C1	C2	C3	C4	C5	C6	X1
M8X45  X4	M8X12  X4	Rubber Pad  X5	 X4	Lag bolt Ø6XØ8.2X1.5  X4	Anchor  X4	






D1  1800mm X1	D2  X1	D3  X1	D4  X2	D5  680mm X2	D6  X2	D7 M5  X4	D8  X4
--	---	---	---	---	---	---	---









## Parts list (NMPRO-S21)

A1	A2	A3	A4
M5X15	M6X15	M8X15	Ø6XØ6.2X1.5
			
X4	X4	X4	X4

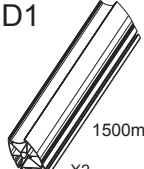
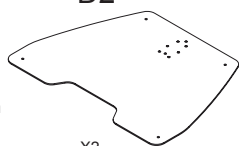
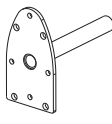
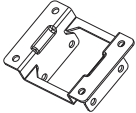
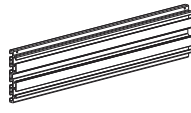
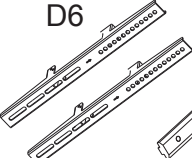
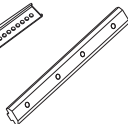
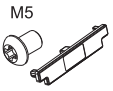

X2

B1	B2	B4	B5	B6
3mm	5mm	Ø6XØ8.2X1.5	M8X12	M8
				
X1	X1	X16	X16	X16





X1

C1	C2	C3	C4	C5	C6
M8X45	M8X12	Rubber Pad		Lag bolt Ø6XØ8.2X1.5	Anchor
					
X4	X4	X5	X4	X4	X4






X2

D1	D2	D3	D4	D5	D6	D7	D8	D9
								
1500mm X2	X2	X2	X2	1000mm*1+480mm*2	X2	X8	X2	X4







## Parts list (NMPRO-S22)

A1	A2	A3	A4
M5X15	M6X15	M8X15	Ø6XØ6.2X1.5
			
X4	X4	X4	X4

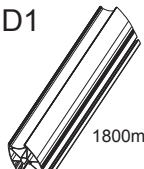

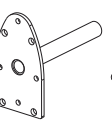
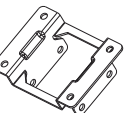
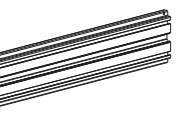
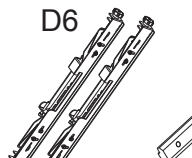
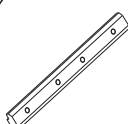
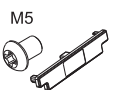

X4

B1	B2	B4	B5	B6
3mm	5mm	Ø6XØ8.2X1.5	M8X12	M8
				
X1	X1	X34	X34	X34





X1

C1	C2	C3	C4	C5	C6
M8X45	M8X12	Rubber Pad		Lag bolt Ø6XØ8.2X1.5	Anchor
					
X4	X4	X5	X4	X4	X4






X2

D1	D2	D3	D4	D5	D6	D7	D8	D9
								
1800mm X2	X2	X2	X4	1000mm*2+480mm*4	X4	X16	X4	X8







## Parts list (NMPRO-S32)

A1	A2	A3	A4
M5X15	M6X15	M8X15	Ø6XØ6.2X1.5
			
X4	X4	X4	X4

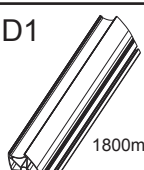
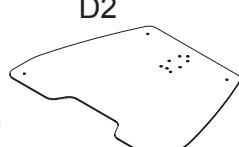
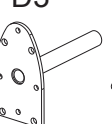
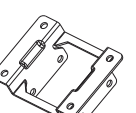

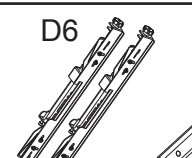
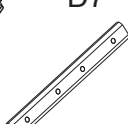
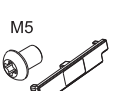

X6

B1	B2	B4	B5	B6
3mm	5mm	Ø6XØ8.2X1.5	M8X12	M8
				
X1	X1	X50	X50	X50





X1

C1	C2	C3	C4	C5	C6
M8X45	M8X12	Rubber Pad		Lag bolt Ø6XØ8.2X1.5	Anchor
					
X4	X4	X5	X4	X4	X4






X3

D1	D2	D3	D4	D5	D6	D7	D8	D9
								
1800mm X3	X3	X3	X6	1000mm*6+480mm*2	X6	X24	X4	X12







## Parts list (NMPRO-S33)

A1	A2	A3	A4
M5X15	M6X15	M8X15	Ø6XØ6.2X1.5
			
X4	X4	X4	X4


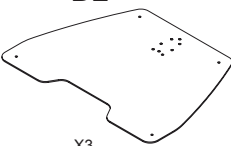
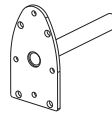
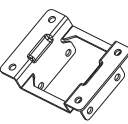
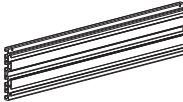
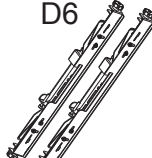
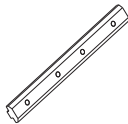
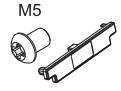

X9

B1	B2	B4	B5	B6
3mm	5mm	Ø6XØ6.2X1.5	M8X12	M8
				
X1	X1	X74	X74	X74

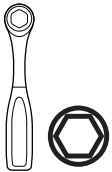
X1

C1	C2	C3	C4	C5	C6
M8X45	M8X12	Rubber Pad		Lag bolt Ø6XØ6.2X1.5	Anchor
					
X4	X4	X5	X4	X4	X4

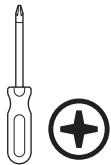
X3

D1	D2	D3	D4	D5	D6	D7	D8	D9
								
2700mm X3	X3	X3	X9	1000mm*9+480mm*3	X9	X36	M5 X6	X18

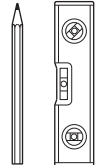
## Required Tools



Socket Set



Phillips Screwdriver



Pencil Level



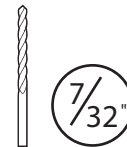
Measuring Tape



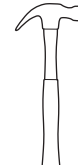
Drill



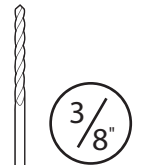
Stud Finder



Wood Bit

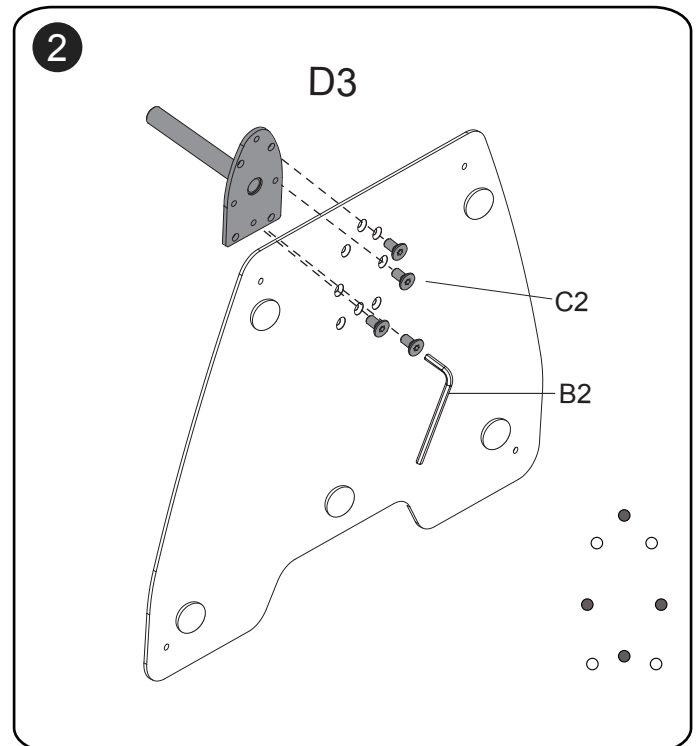
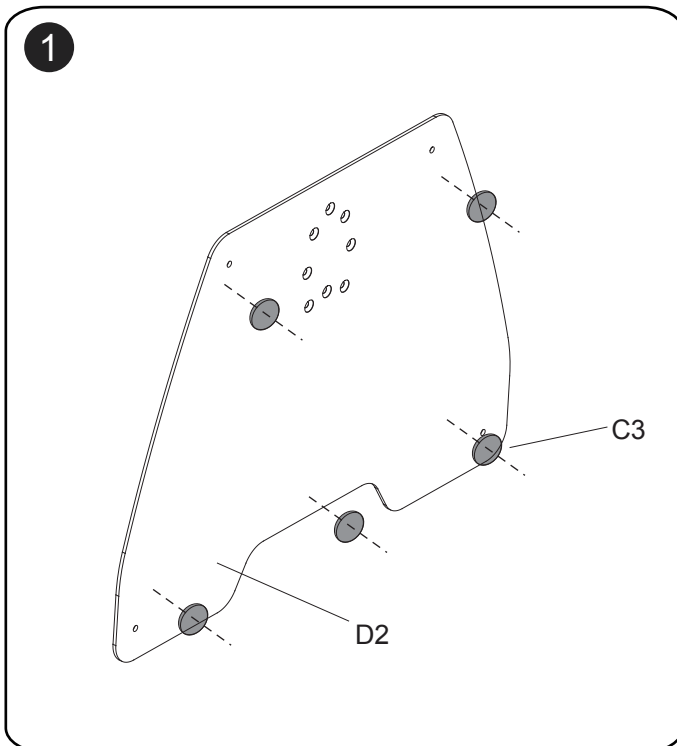


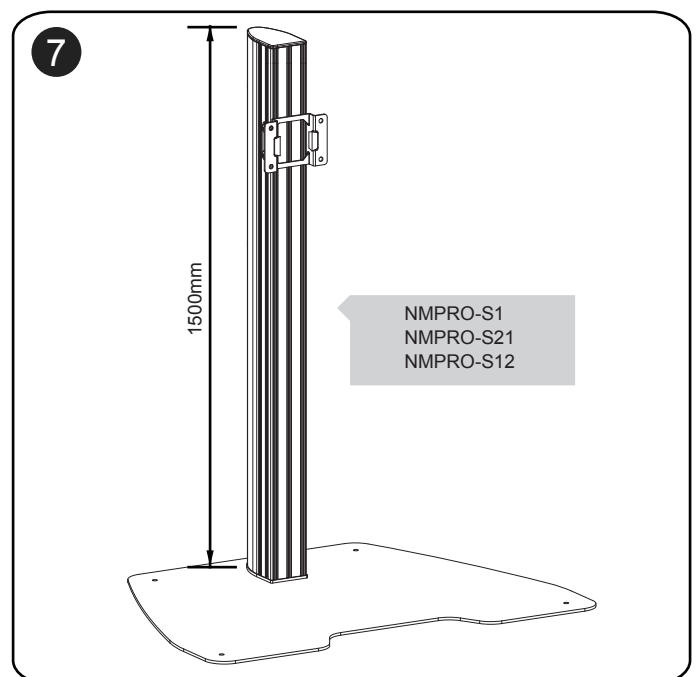
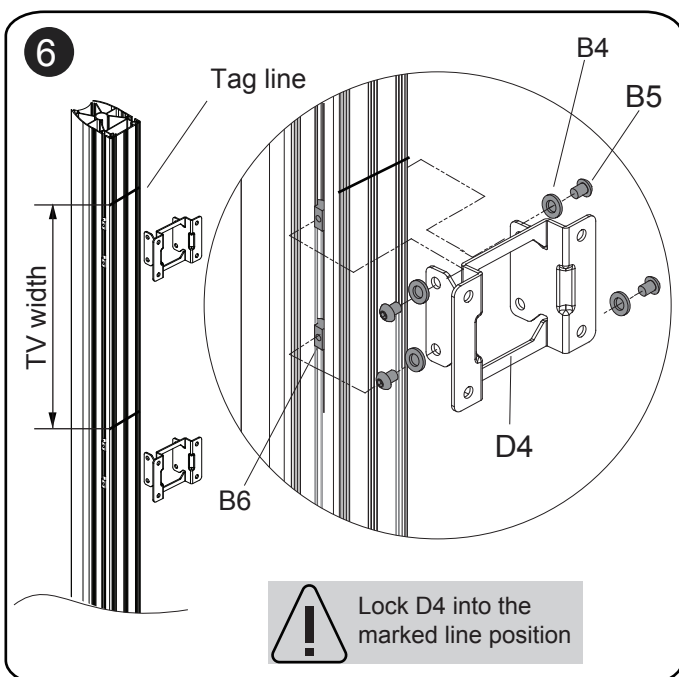
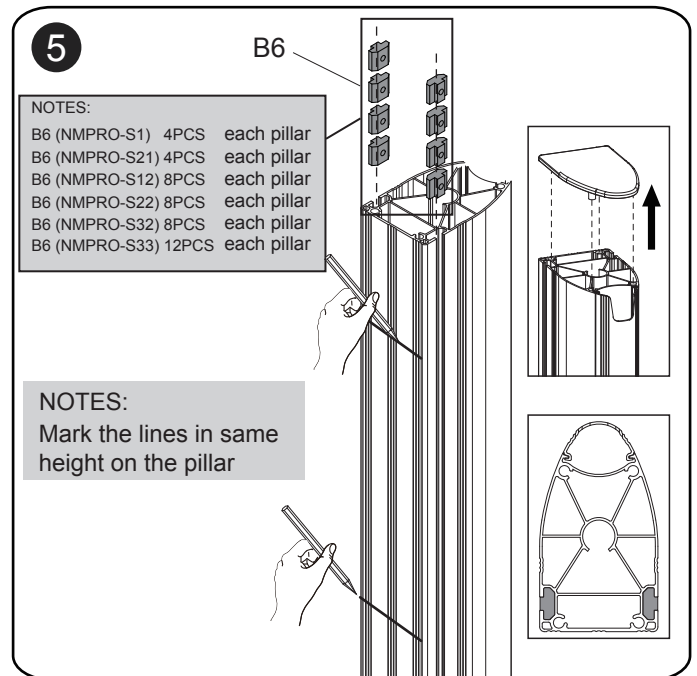
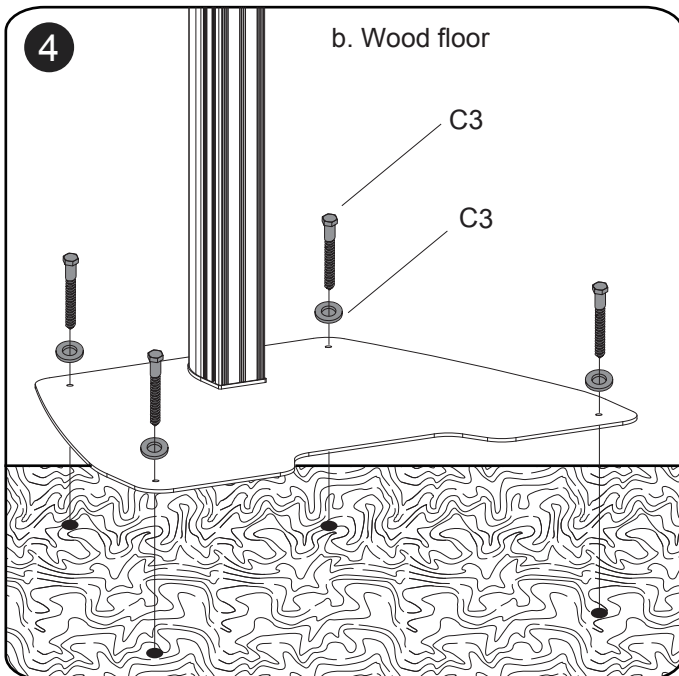
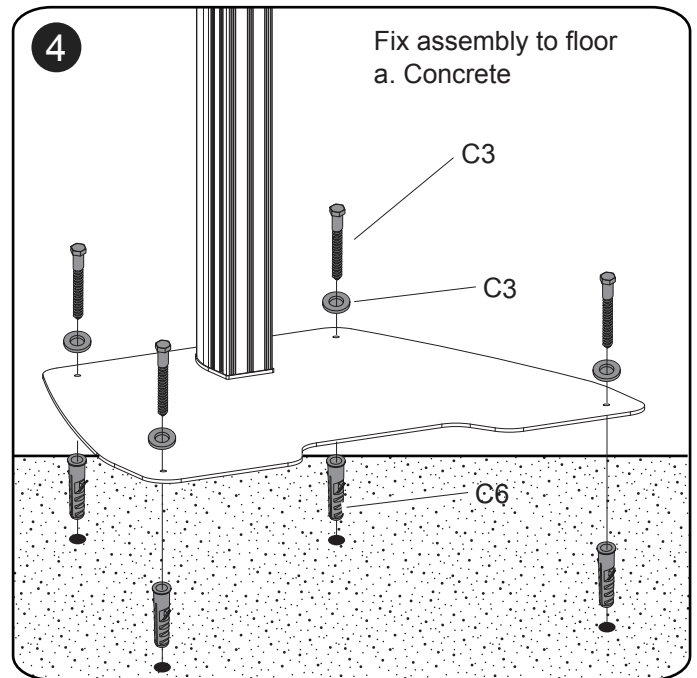
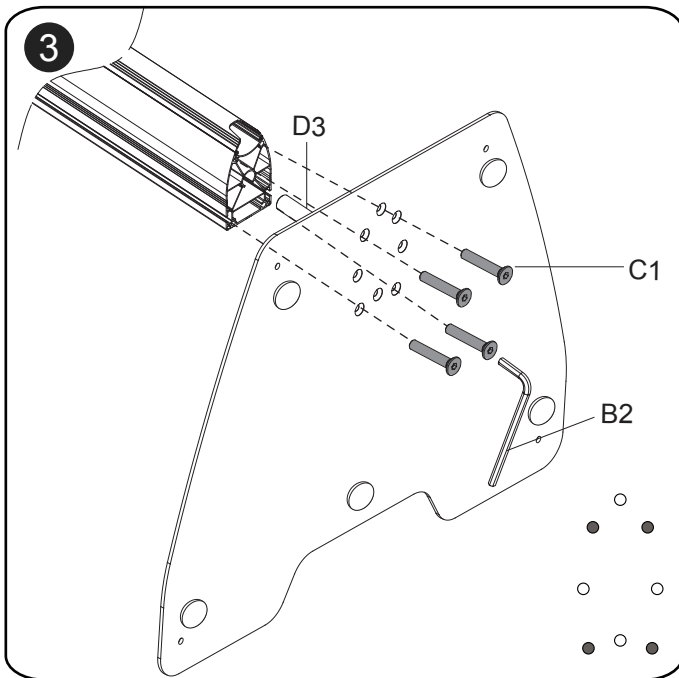
Hammer



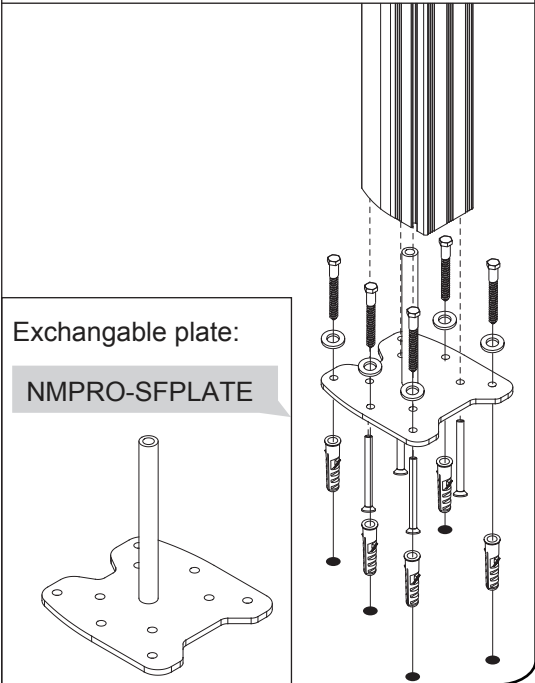
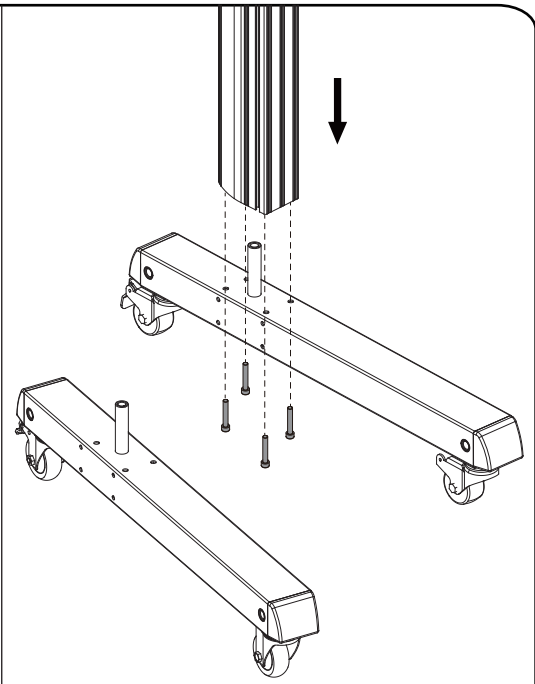
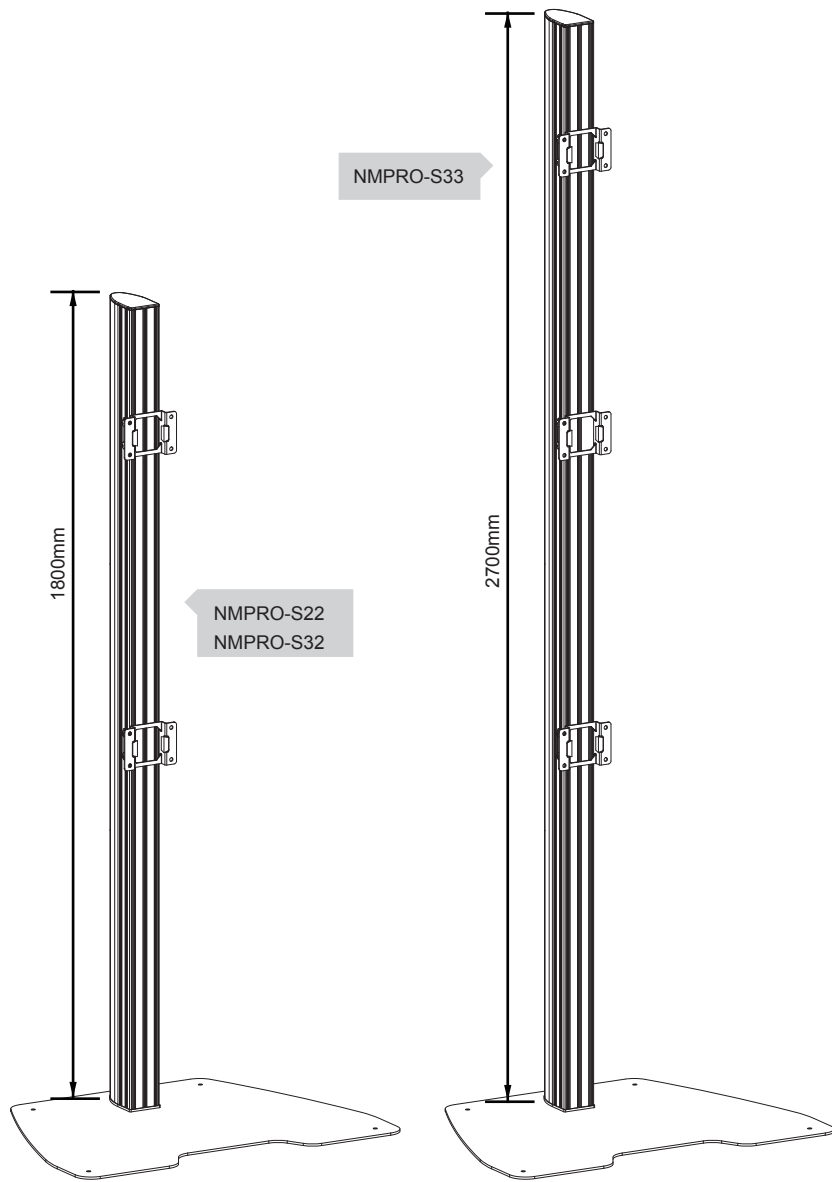
Masonry Bit

## Installation

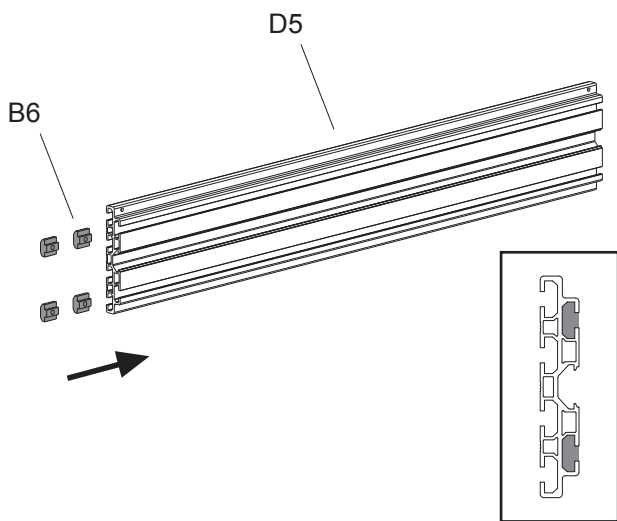




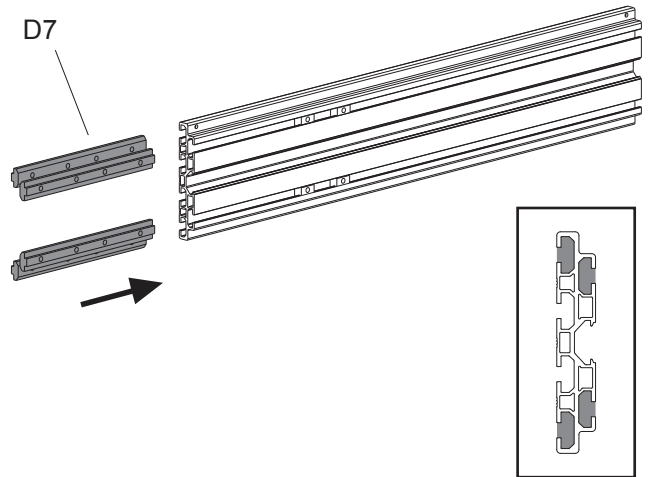
8



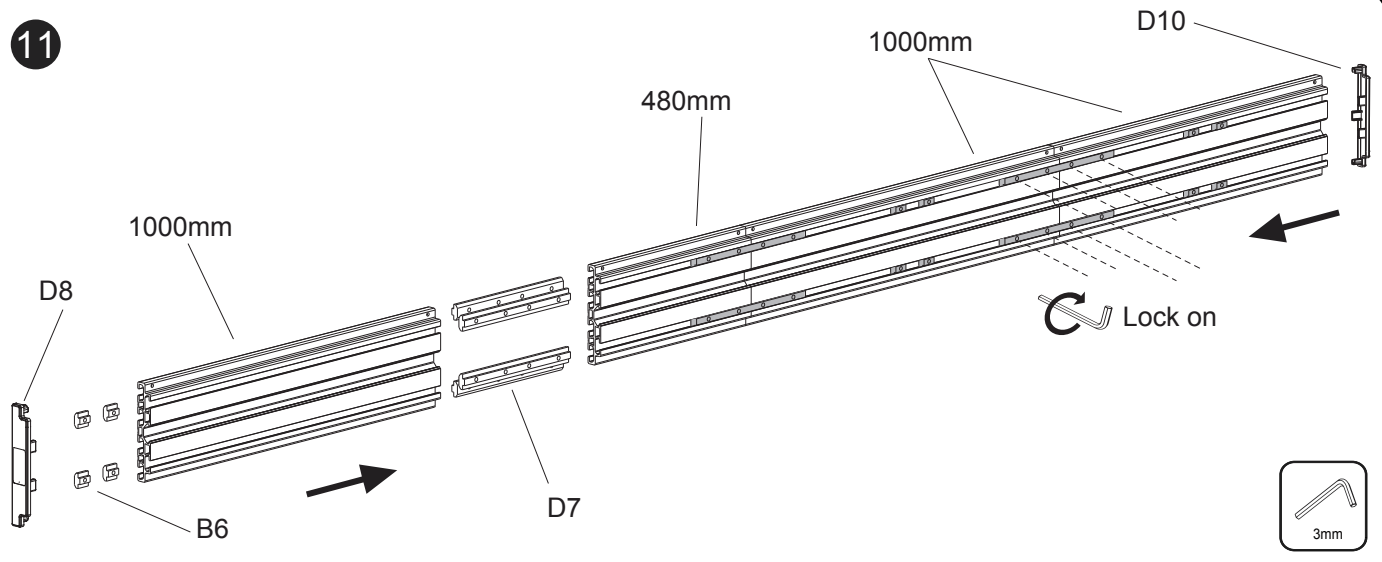
9



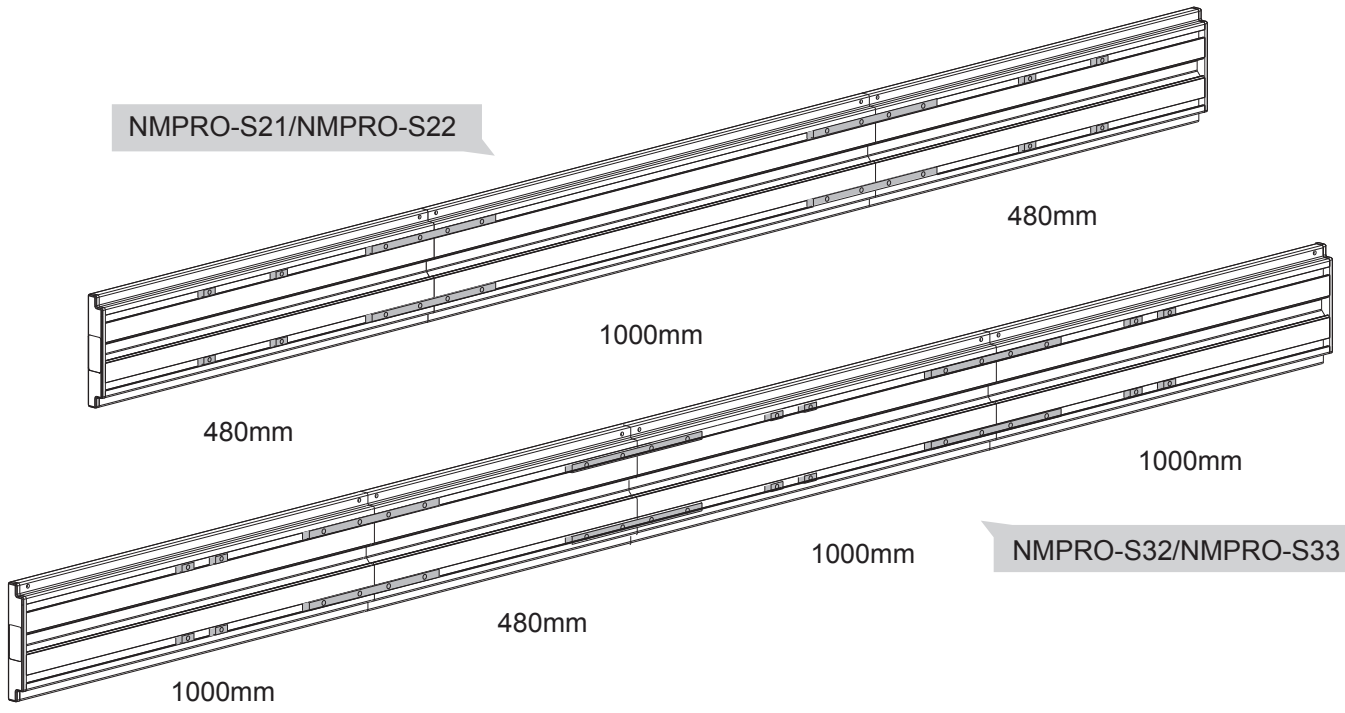
10



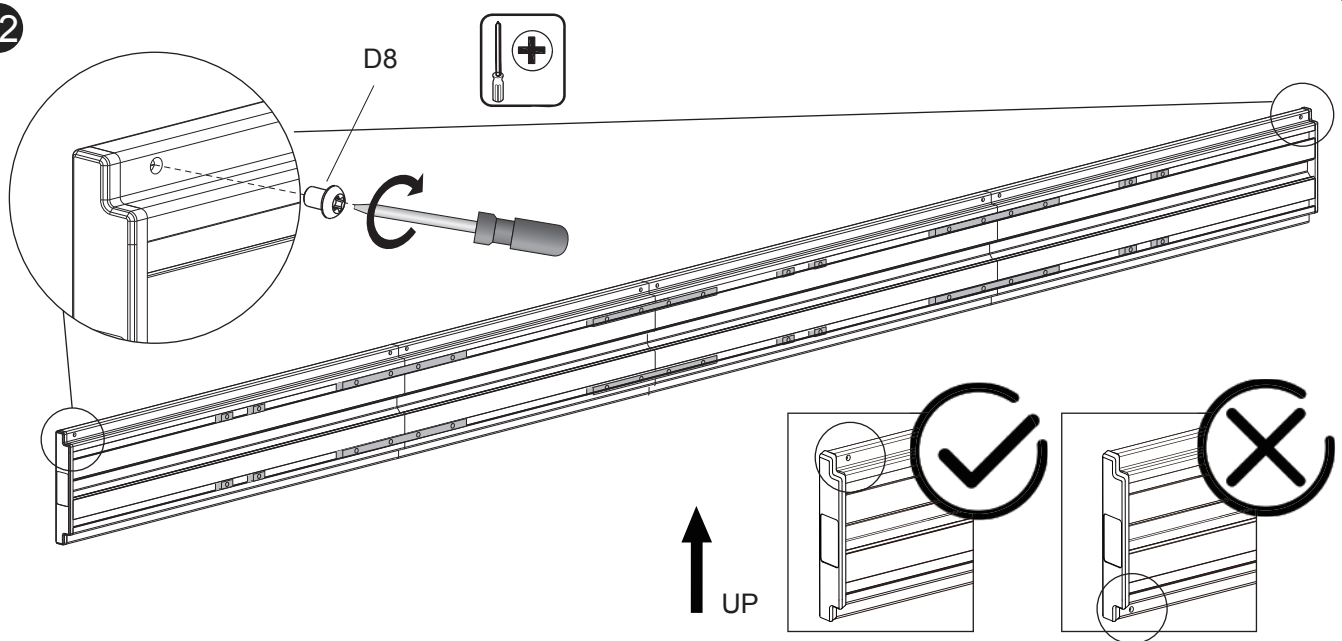
11

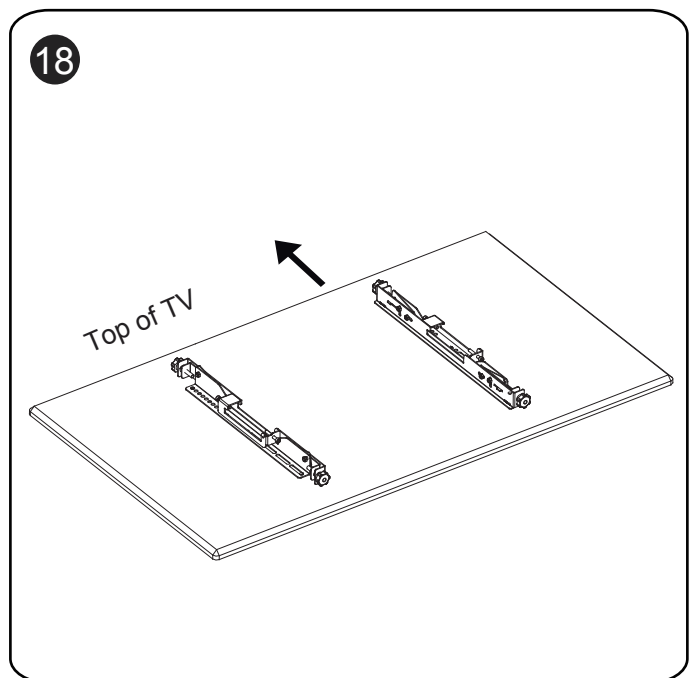
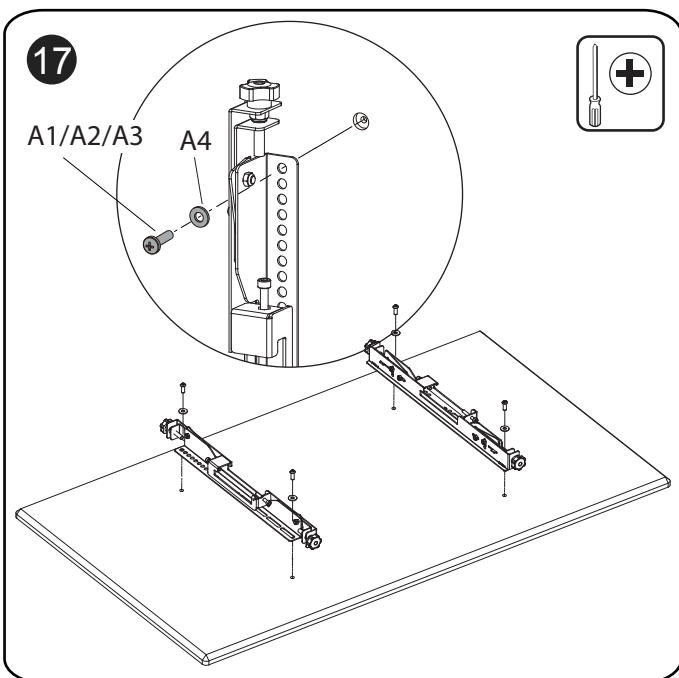
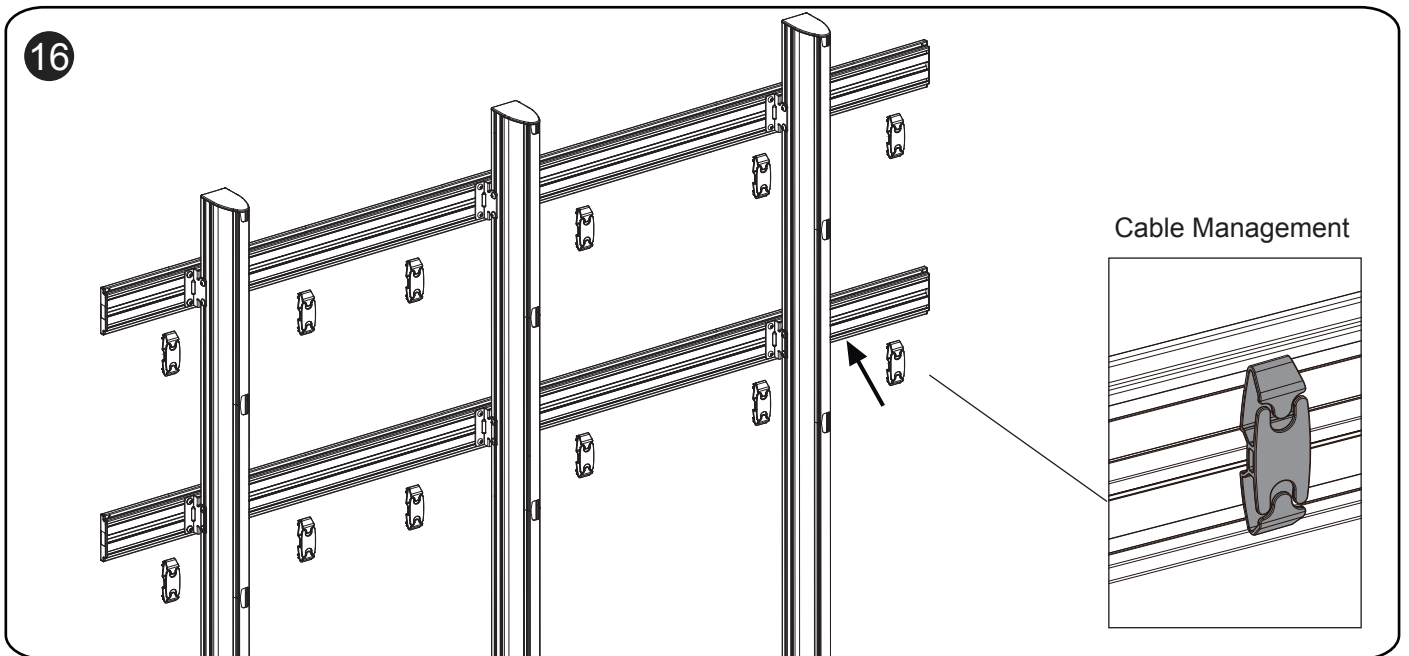
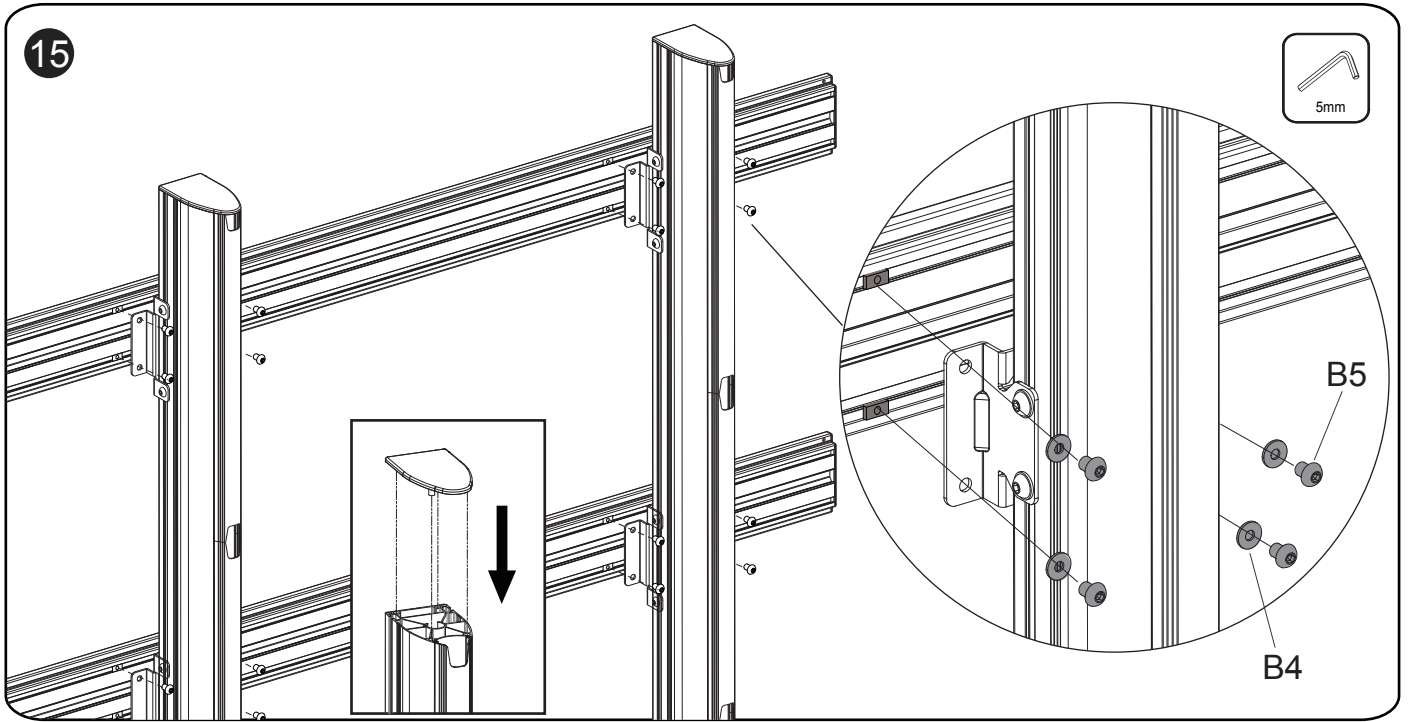


NMPRO-S21/NMPRO-S22

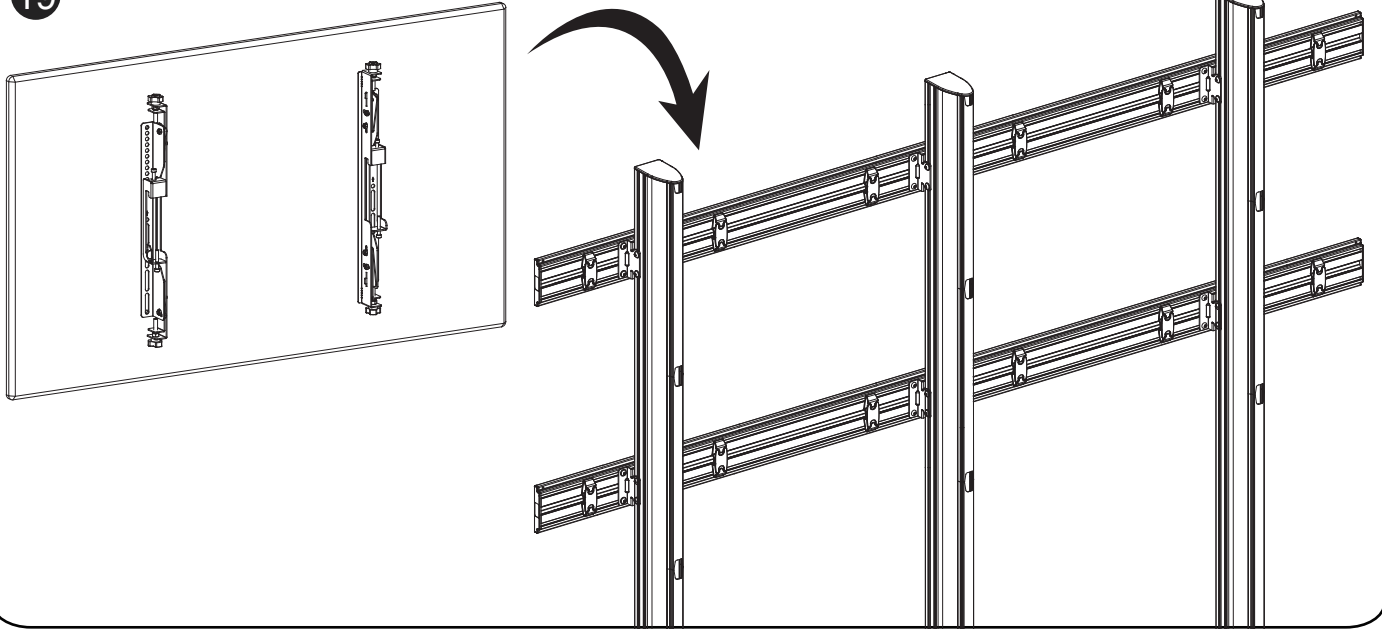


12

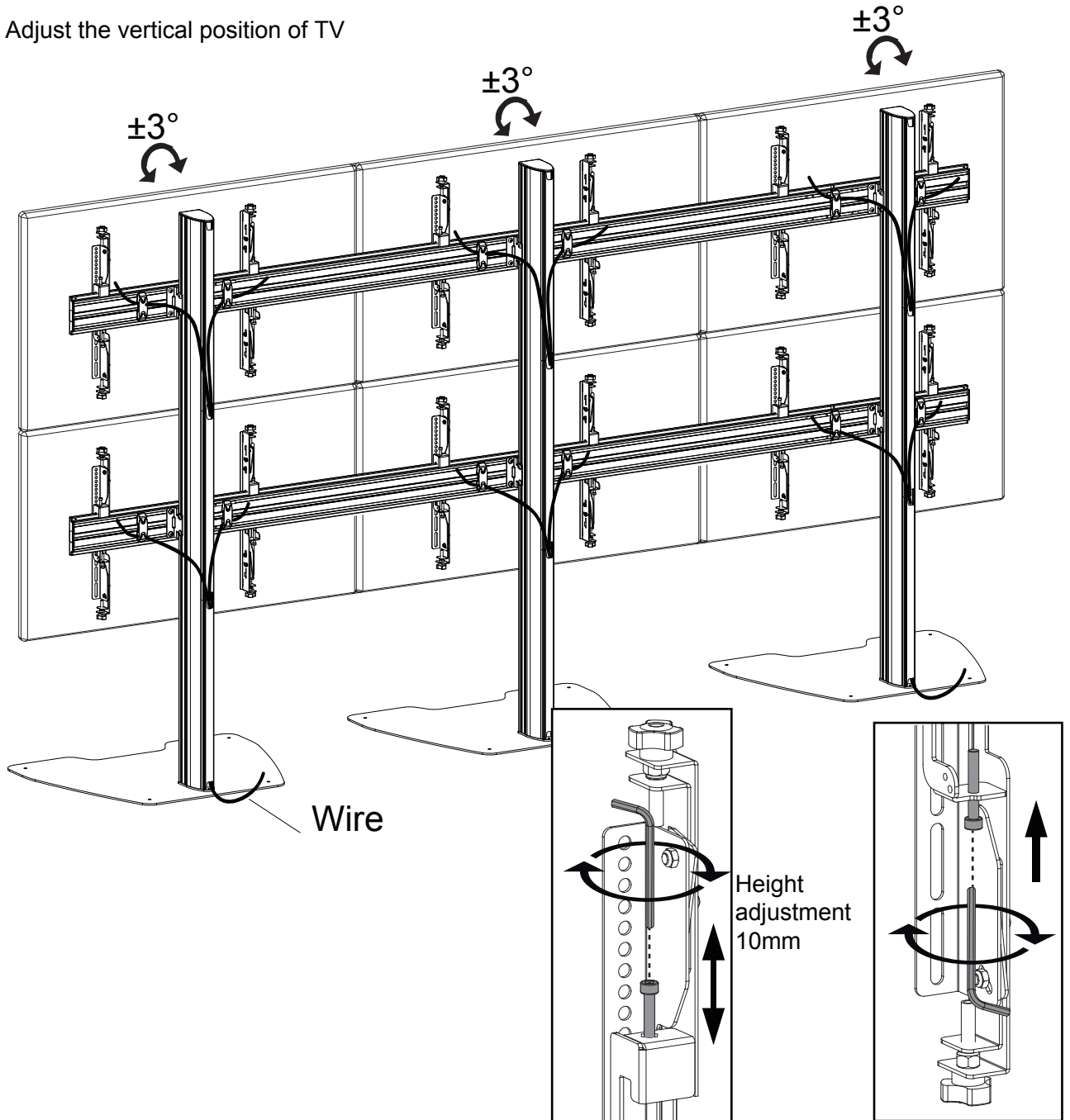




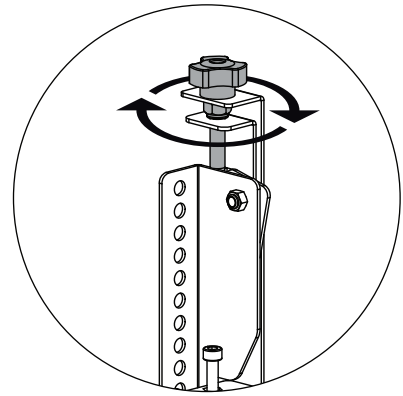
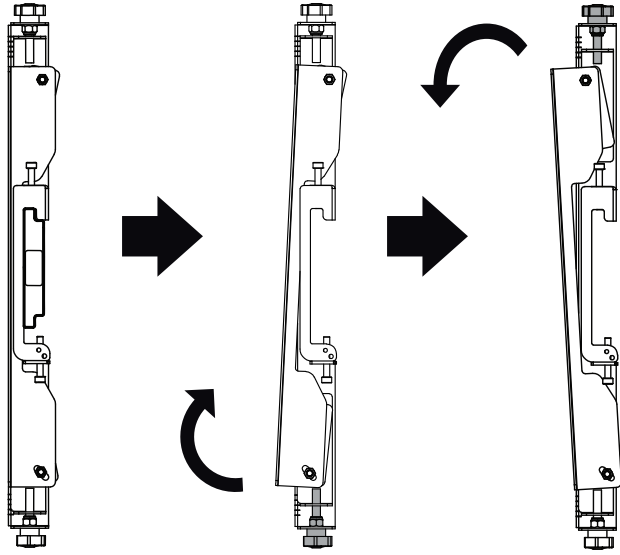
19



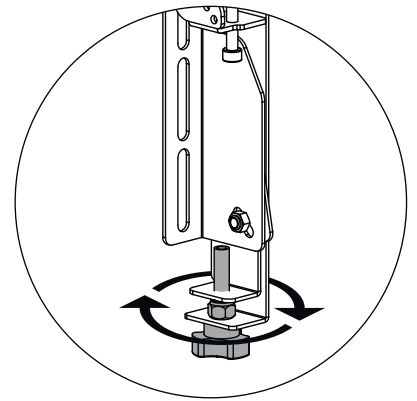
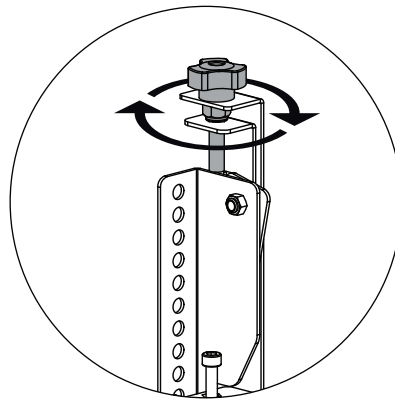
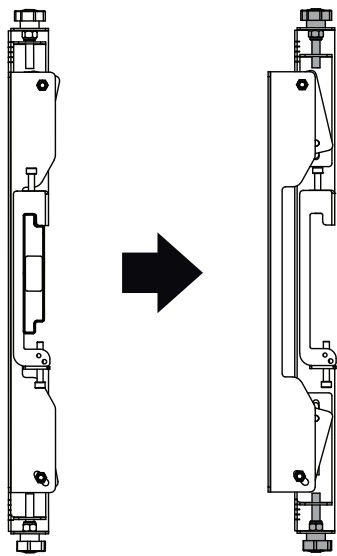
21 Adjust the vertical position of TV



21

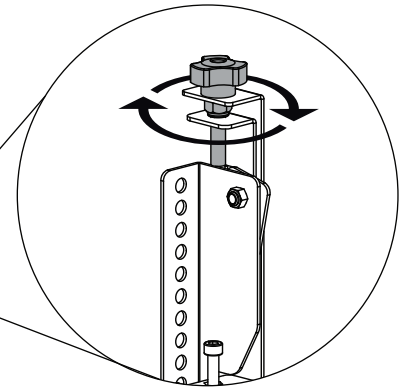
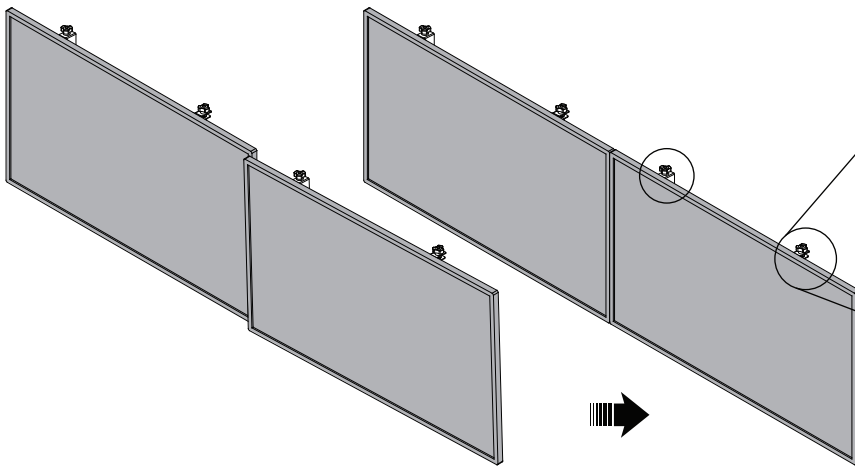


Tilt Adjustment  $+3^{\circ}/-3^{\circ}$   
Adjust the single knob



Depth Adjustment 15mm  
Adjust the both knobs

23



Tilt Adjustment  $+3^{\circ}/-3^{\circ}$

