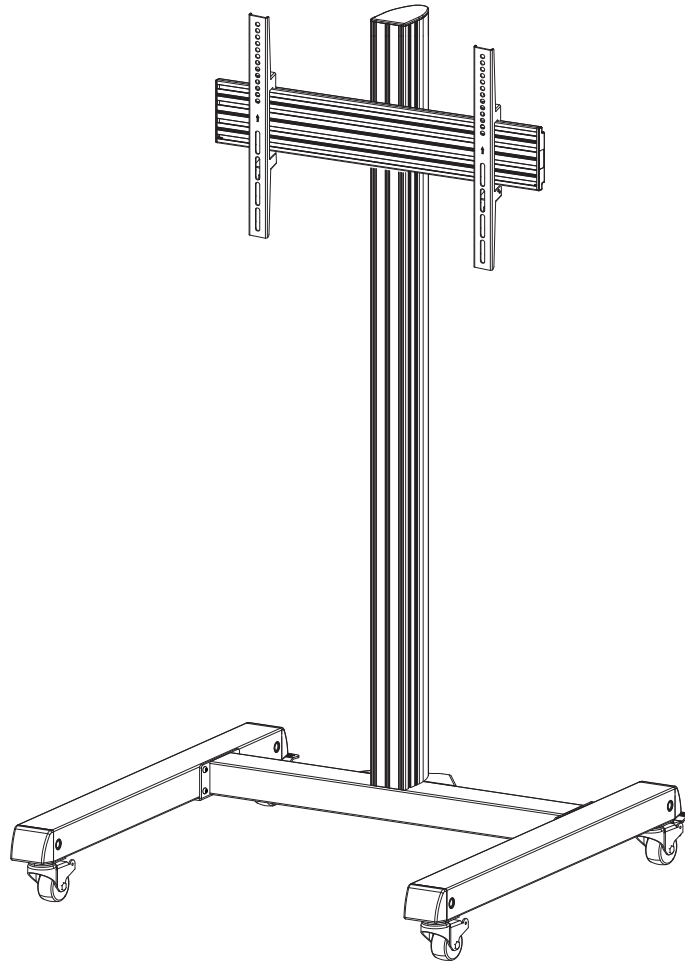


NEOMOUNTS PRO

BY NEWSTAR

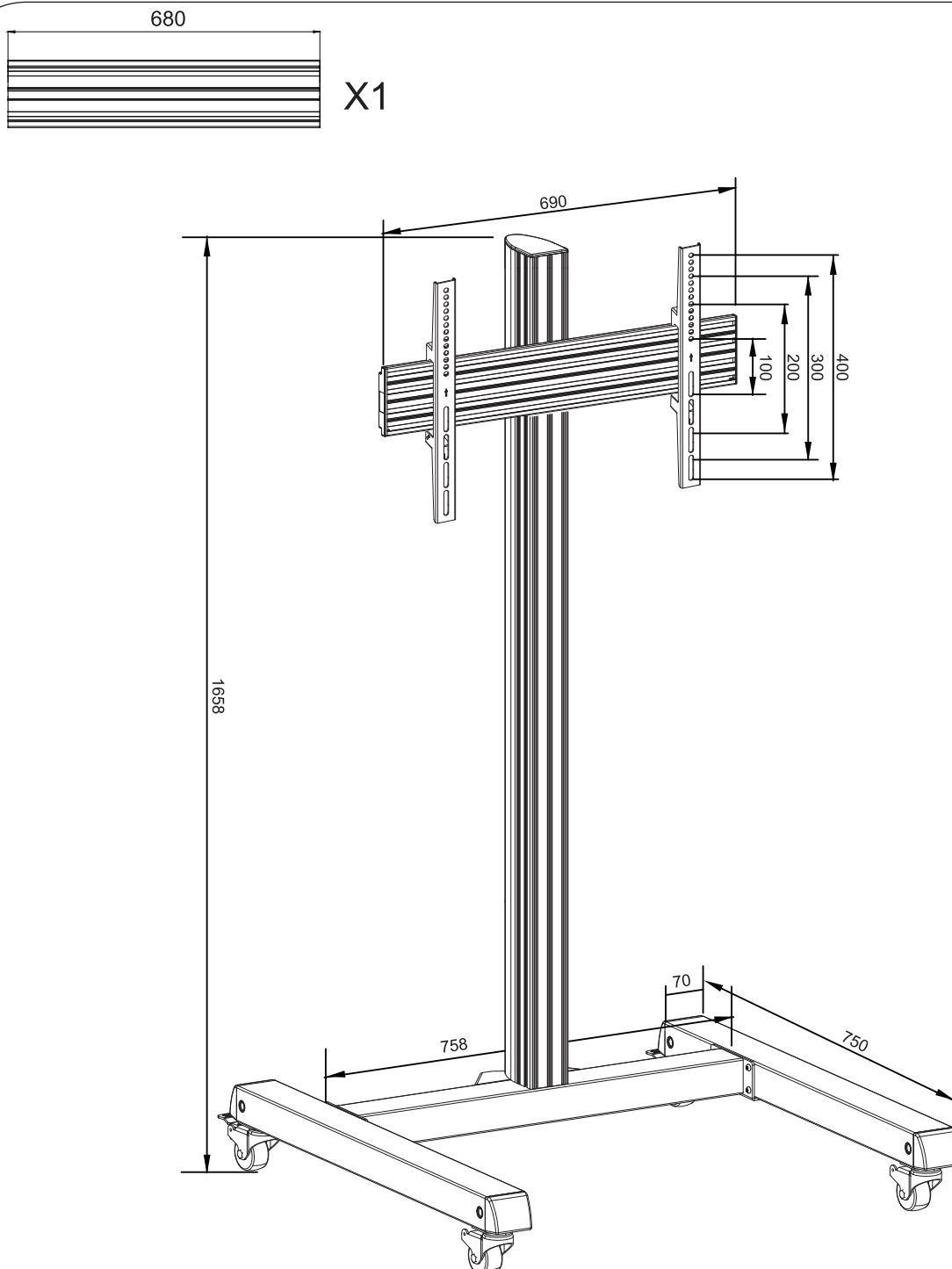


NMPRO-M1

⚠ WARNING

- Be sure to read this entire manual thoroughly and you fully understand all the instructions and warning before attempting to begin your installation.
- This product should only be installed by someone who has a basic knowledge of building construction, installations and fully understands these instructions.
- Always have someone assist you to lift and position your equipment.
- Tighten screws and bolts firmly, but do not over tighten. Over tightening can damage the items and greatly reduce their ability to hold. Please refer to suggested torque values where applicable in these instructions.

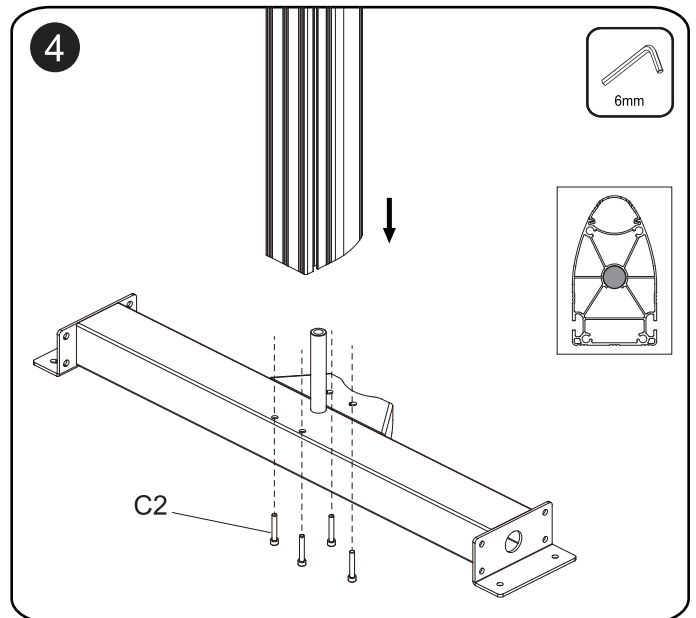
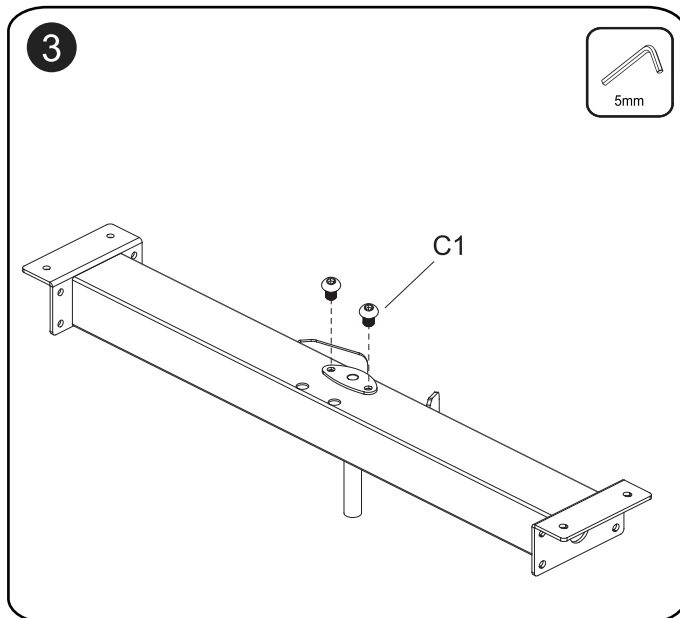
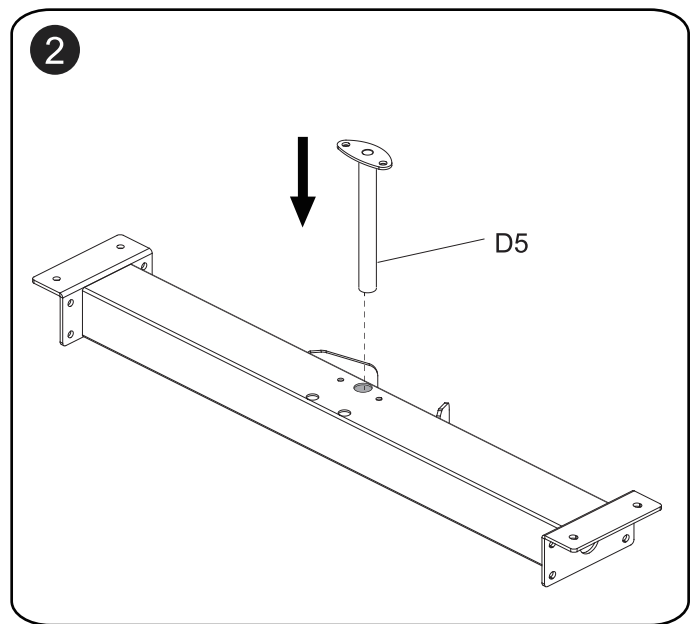
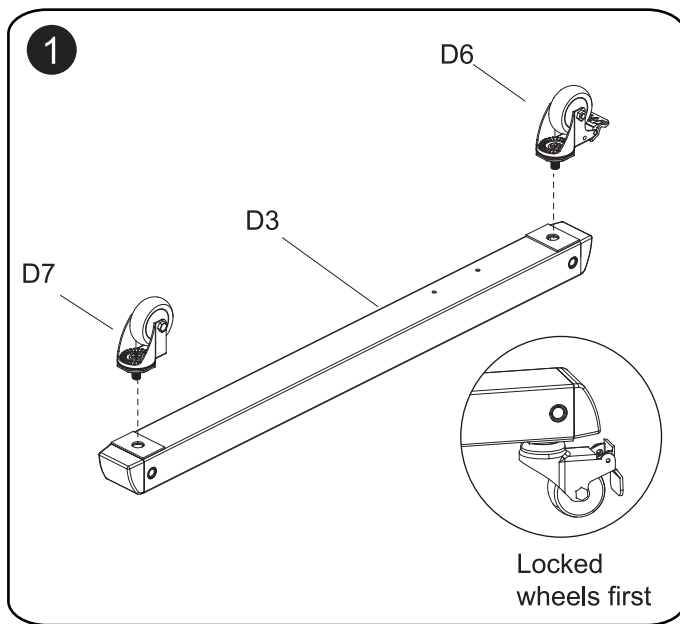
Dimensions

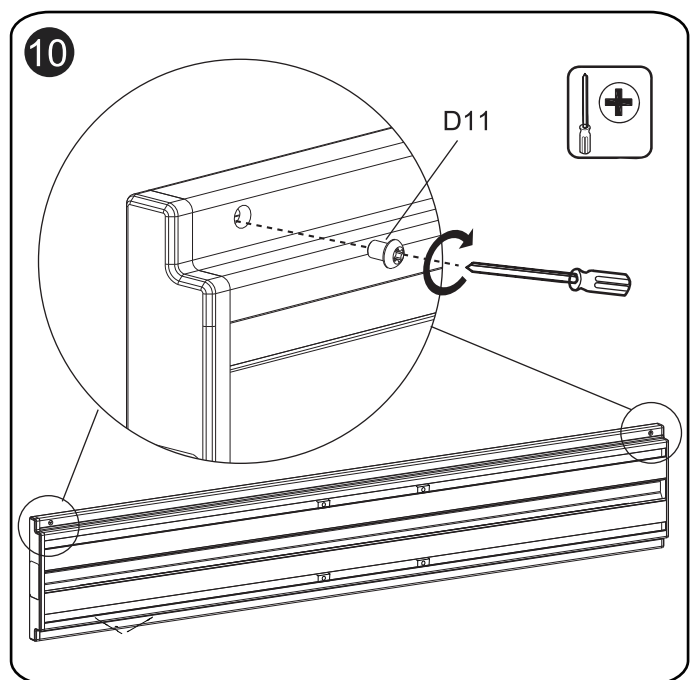
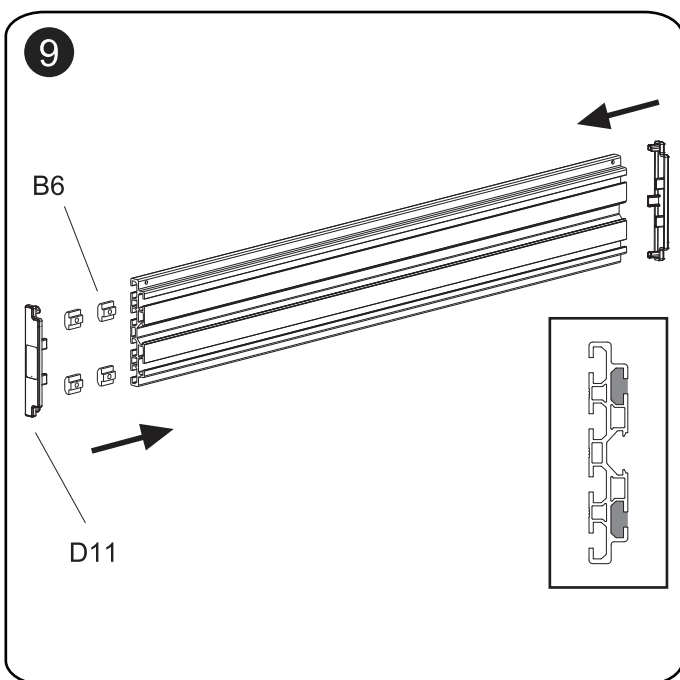
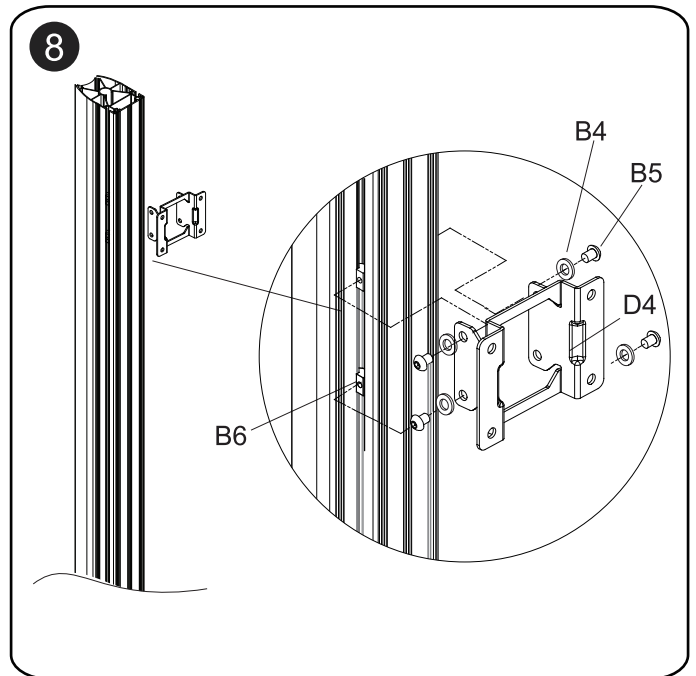
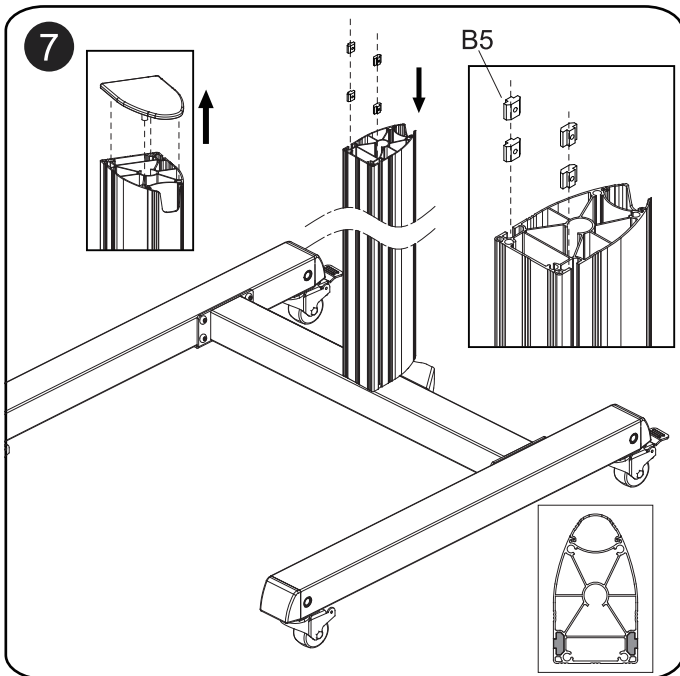
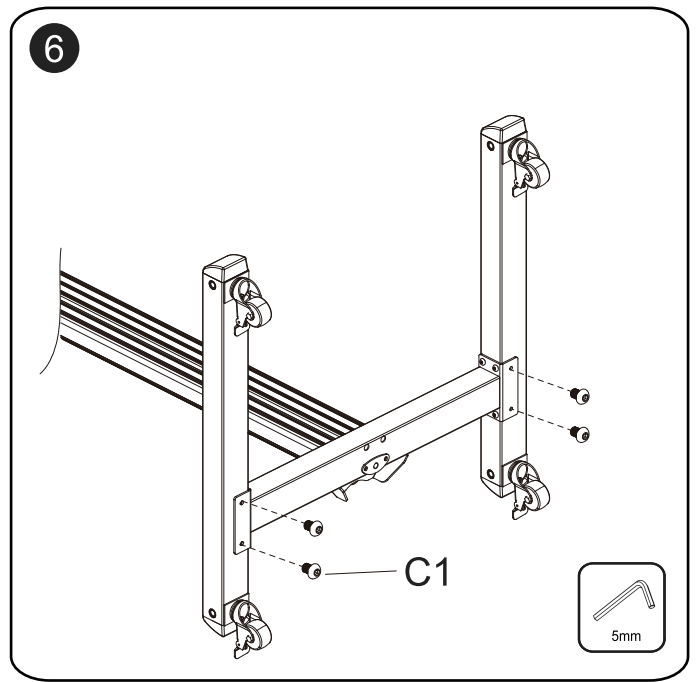
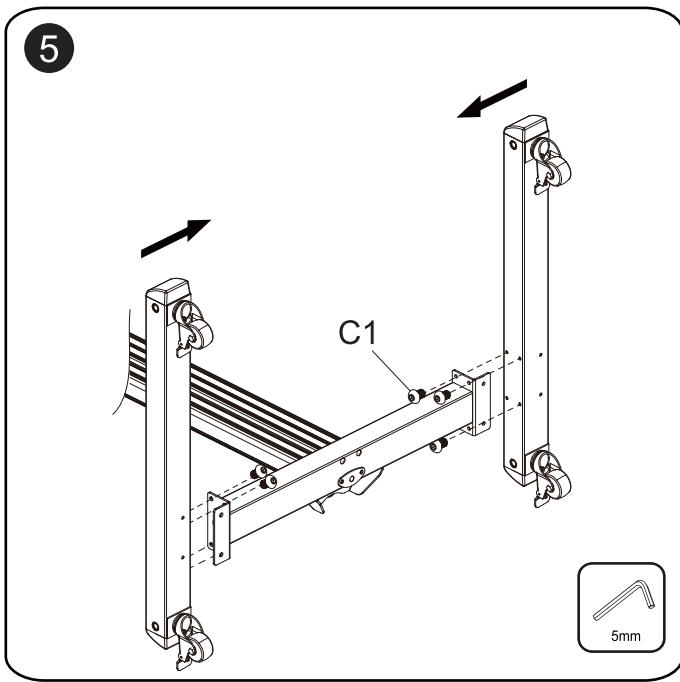


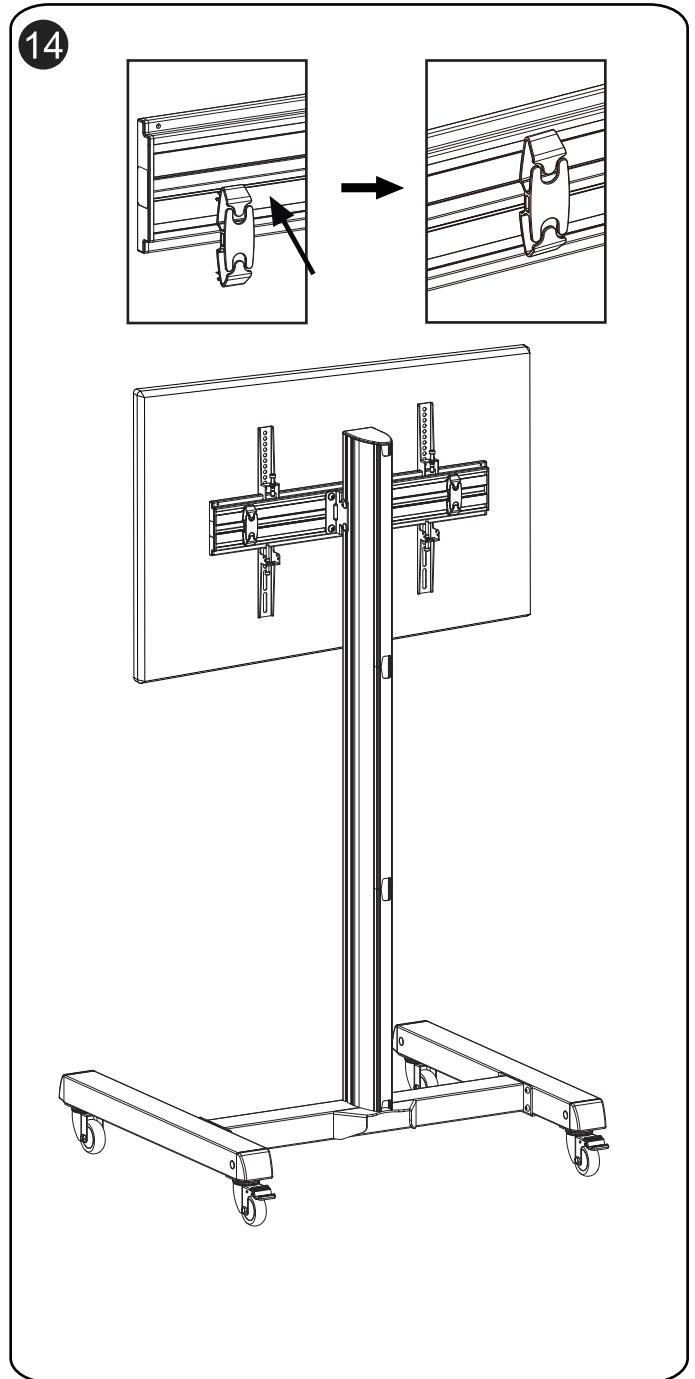
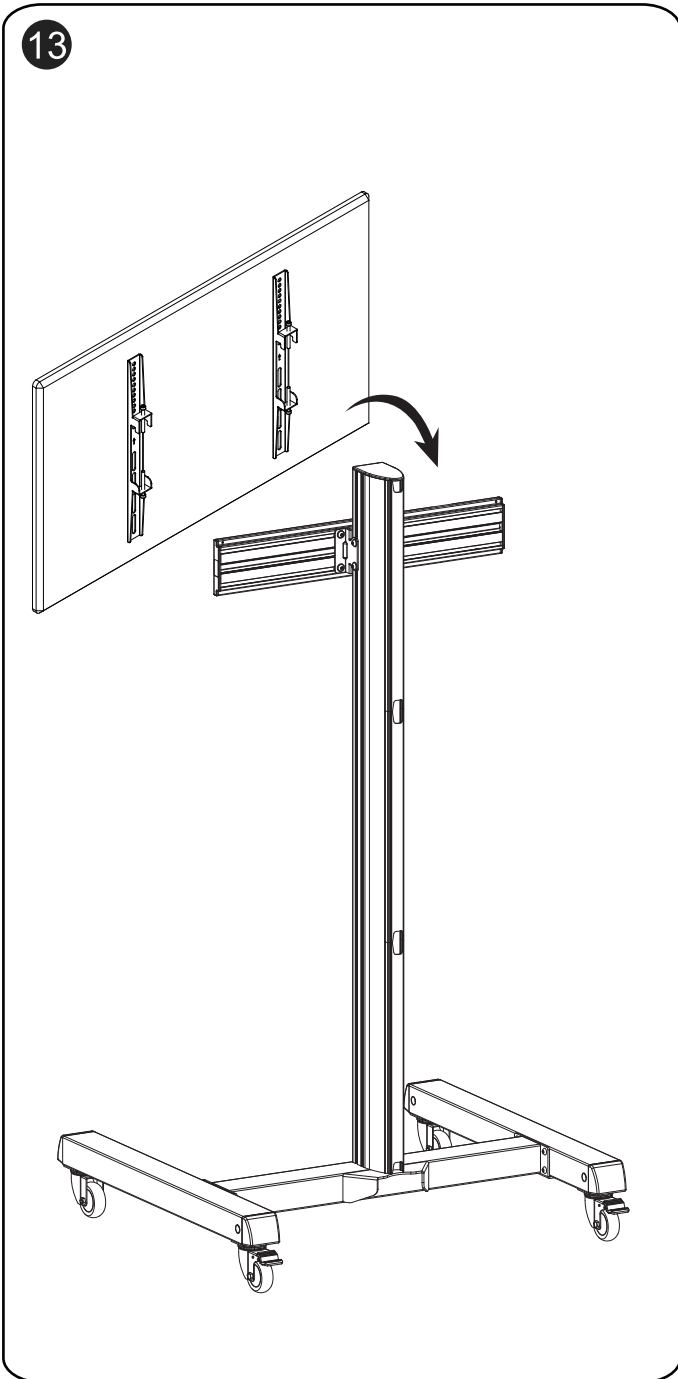
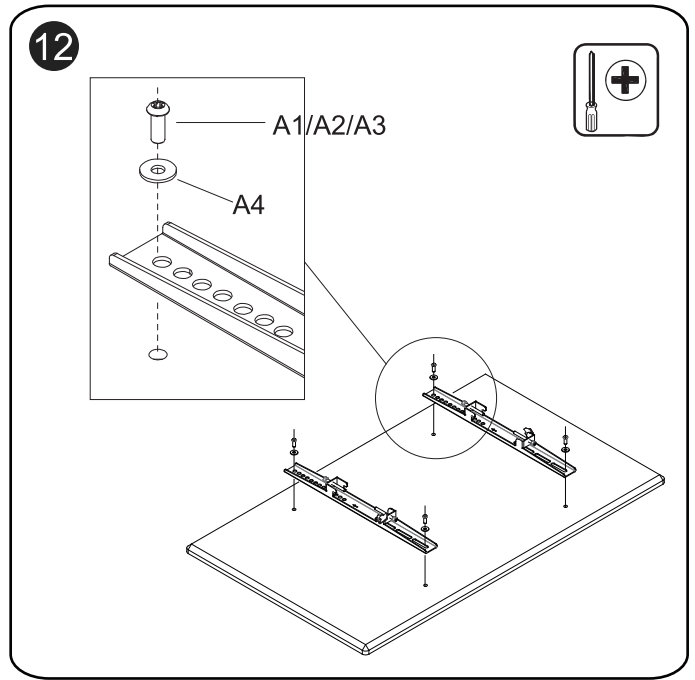
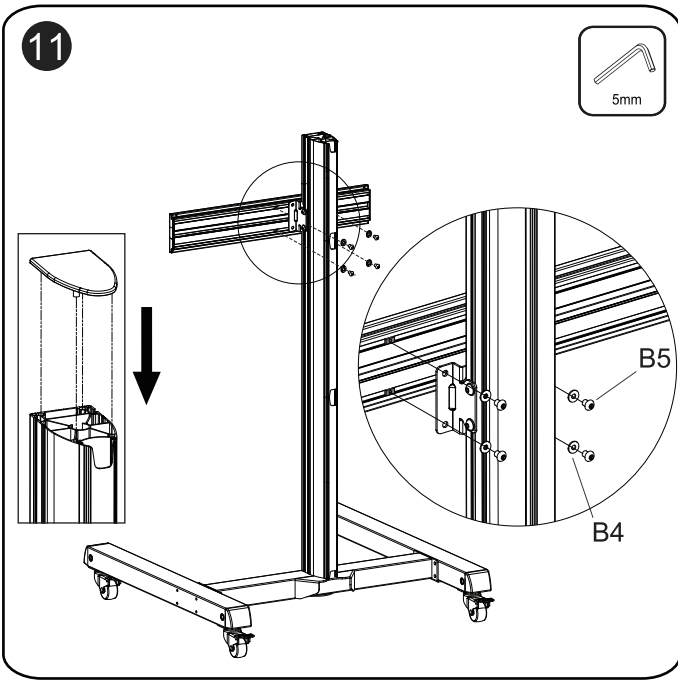
Parts list

A1 M5X15 X4	A2 M6X15 X4	A3 M8X15 X4	A4 Ø16XØ6.2X1.5 X4	X1	B1 5mm X1	B2 6mm X1	B3 Ø16XØ8.2X1.5 X8	B4 M8X12 X8	B5 M8 X8	X1
C1 M8X12 X14	C2 M8X45 X4	X1	D1 X1		D2 X1	D3 X2	D4 X1	D5 X1	D6 3" X2	
D7 3" X2	D8 680mm X1		D9 X2	D10 X2	D11 M5 X2					

Installation







16

